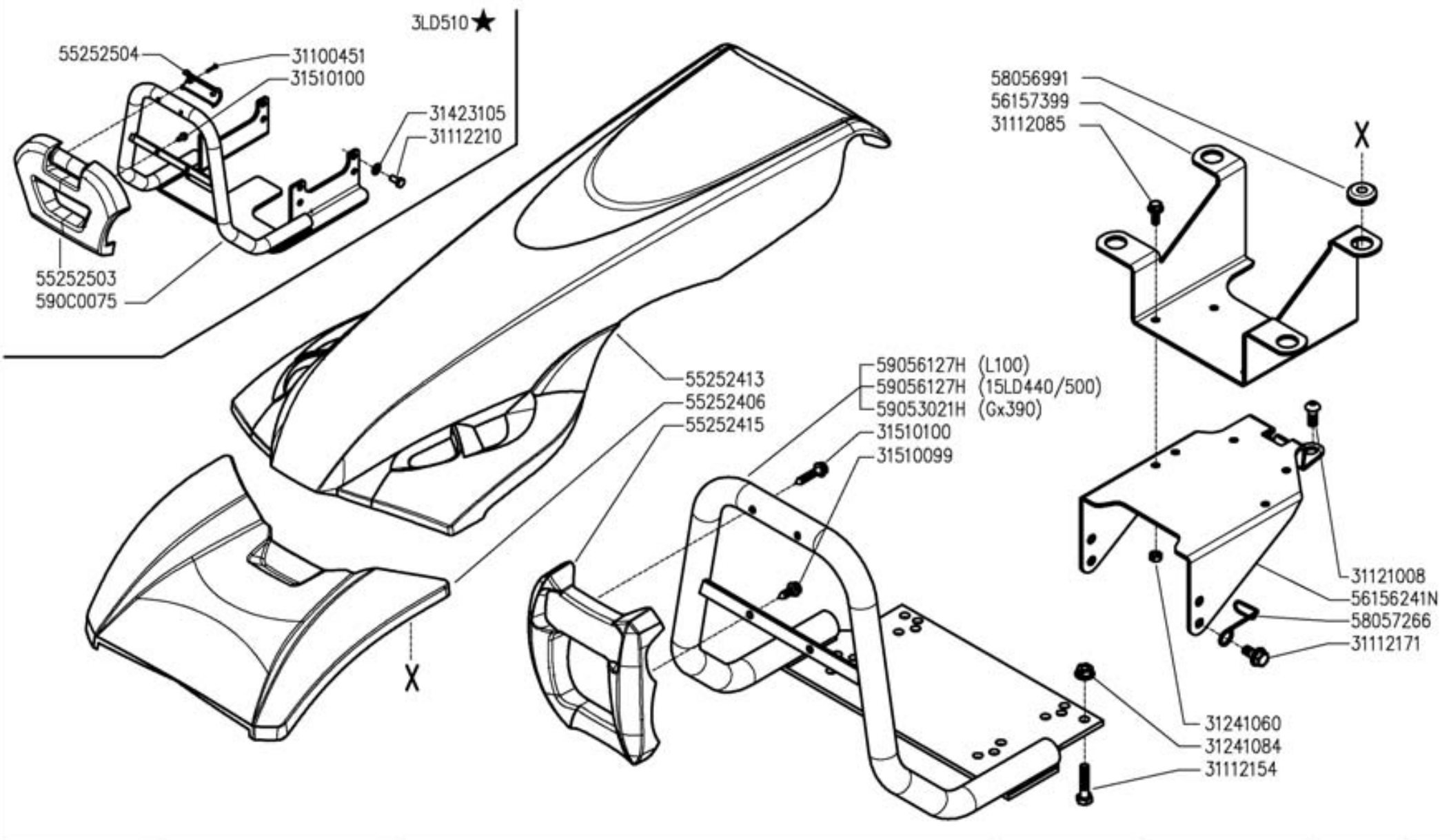


Code	Description	Notes
A02_1_77305	ENGINE PROTECTIONES	
A.02.01.A0003_02	ENGINE PROTECTIONS	
B01_2_77329	POWERSAFE CLUCH CONTROL	
B.01.01.A0001_03	POWERSAFE CLUCH CONTROL	
C01_1_72820	CYLINDER AND POWERSAFE CLUTCH	
C.01.01.A0001_02	CYLINDER AND POWERSAFE CLUTCH	
D01_1_77361	POWERSAFE FILTER UNIT	
D.01.01.A0001_02	POWERSAFE FILTER UNIT	
E01_1_77371	POWERSAFE CLUTCH HUB	
F01_1_77388	ENGINE FLANGES	
G03_0_77436	GEARBOX (360)	
G04_0_77461	FARINGS (360)	
H03_1_77469	GEARS	
I04_1_77517	WHEELS AXLE	
J03_1_77552	STEERING COLUMN	
J03_2_77555	J03_02 - PIANTONE (340_346_360)	
K03_1_77574	HANDLEBAR (340_346_360)	
L03_1_77607	HANDLEBAR CONTROLS	
L.03.01.A0003_02	HANDLEBAR CONTROLS	
M03_1_77650	CONTROLS (340_346_360)	
N02_1_77691	BRAKES	
N.02.01.A0003_02	BRAKES	
Q01_0_67569	ELECTRIC STARTER	
Q01_1_81859	ELECTRIC STARTER	
R01_0_67594	STICKERS	
R.02.01.A0003_02	STICKERS	
H.03.02.A0003_02	H03_02 - INGRANAGGI CAMBIO (340-346-360)	



300 serie PS
PowerSafe®

ENGINE PROTECTIONS
PROTECCIONES MOTOR

PROTEZIONI MOTORE
(340-346-360 ★)

PROTECTIONS MOTEUR
MOTORSCHUTZ

DALLA MACCHINA
DE LA MACCHINA
DE LA MACHINE
FROM THE MACHINE
AB DER MASCHINE

★ N.

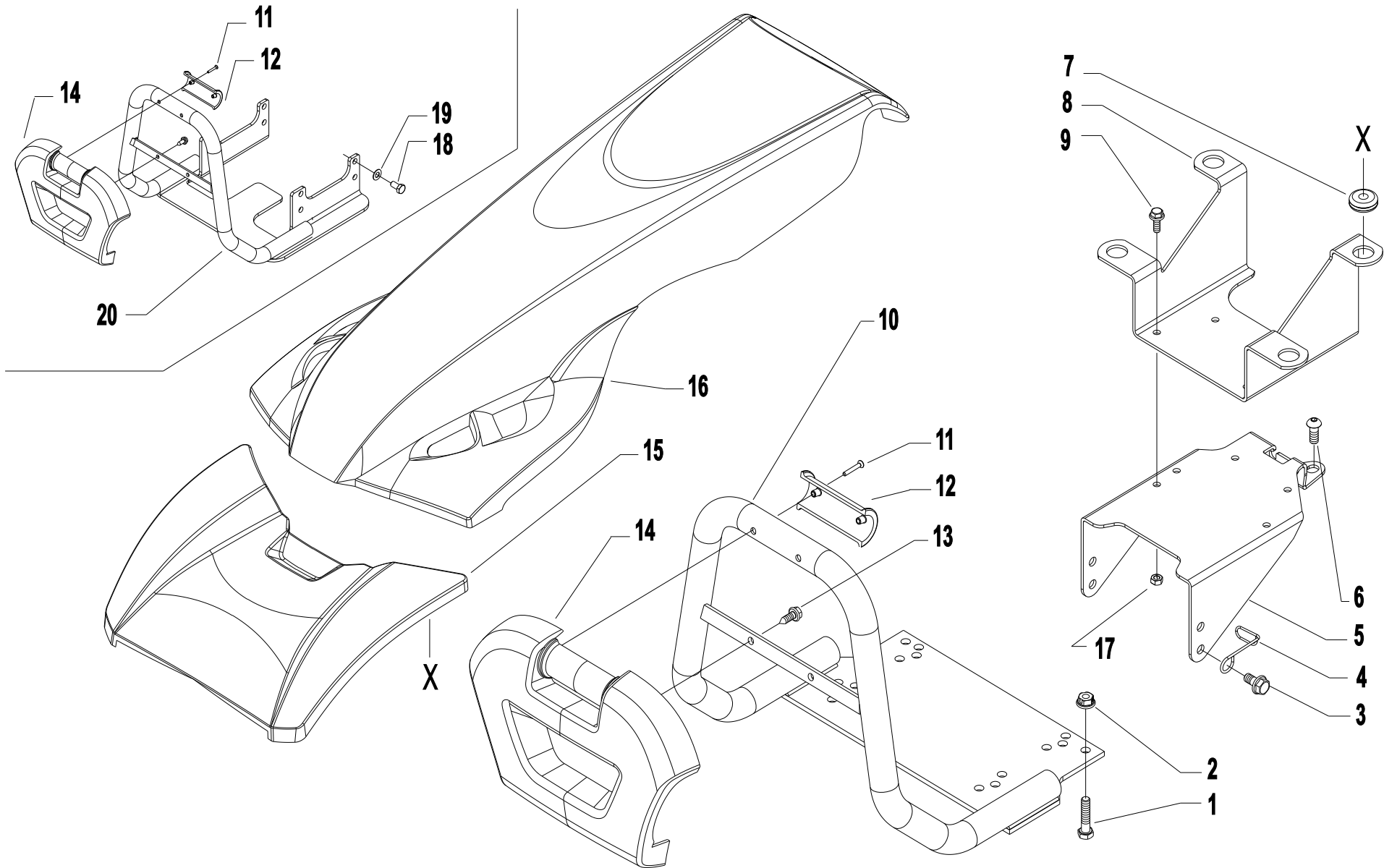
AGGIORNAMENTO
APLAZAMIENTO
MISE A JOUR
REVISION
ANPASSUNG

A02

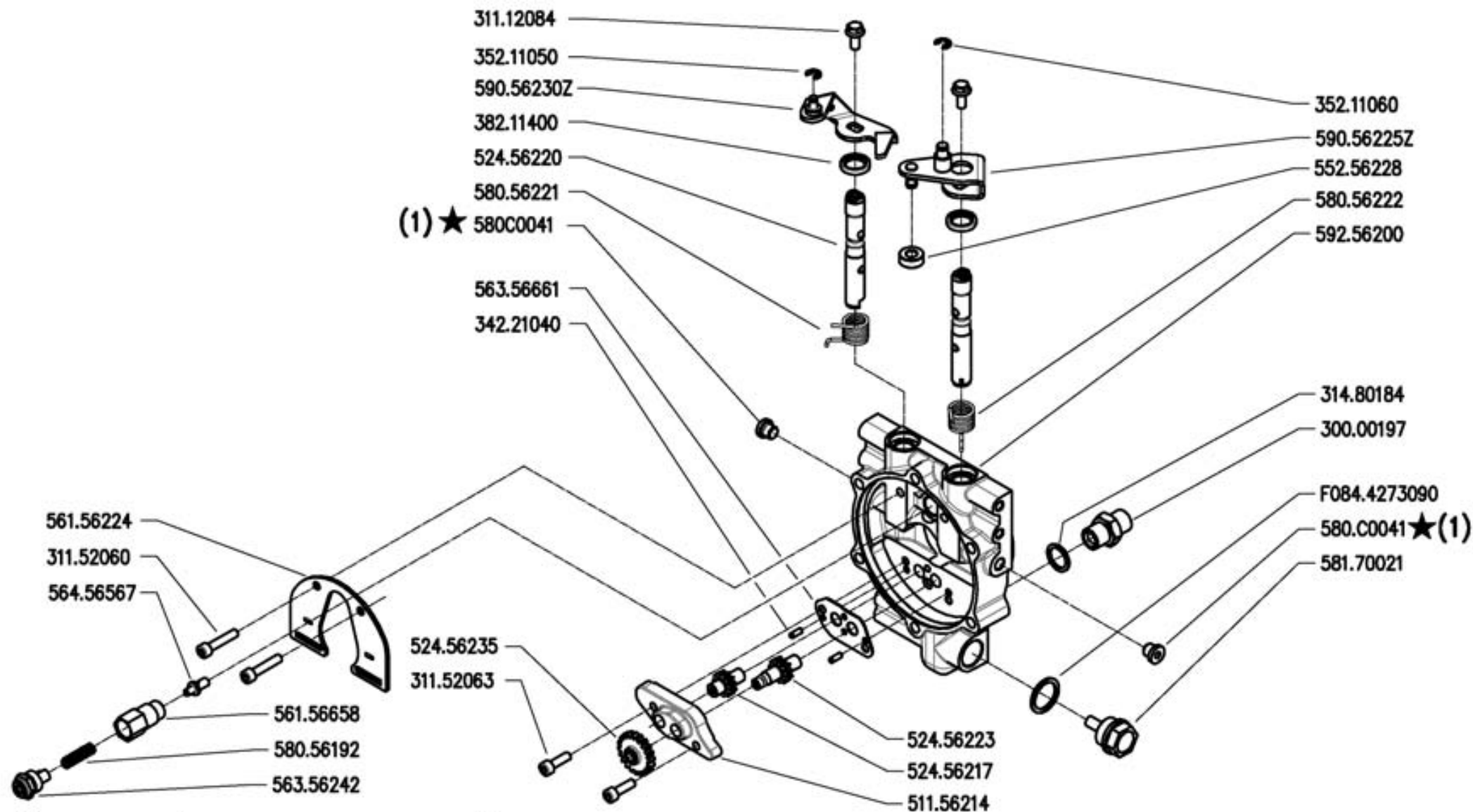
11/2010

Rev. 1

Pos.	Code	Q.ty	Description	Notes
31100451	31100451	1	SCREW 3,5X25	
31112085	31112085	1	SCREW TE M6X16 DIN 6921 8G	
31112154	31112154	1	SCREW TE M8X40 UNI 5739 8G	
31112171	31112171	1	SCREW TE C/F M8X16 DIN 6921	
31112210	31112210	1	SCREW TE M10X20 UNI 5739	
31121008	31121008	1	SCREW TBCEI M10X16 ISO 7380	
31241060	31241060	1	SELFLOCK NUT M6	
31241084	31241084	1	SELFLOCK NUT M8 6S	
31423105	31423105	1	SPRING WASHER 10,5	
31510099	31510099	1	RIBBED SCREW 6,3X38 UNI 6950	
31510100	31510100	1	RIBBED SCREW 6,3X19 UNI 6950	
55252406	55252406	1	GUARD	
55252413	55252413	1	GUARD	
55252415	55252415	1	GUARD	
55252503	55252503	1	FREGIO ANT.MC 2010 FERRARI	
55252504	55252504	1	HALF BEARING	
56157399	56157399	1	HOLDER	
58056991	58056991	1	CABLE GLAND	
58057266	58057266	1	HOLDER	
590C0075	590C0075	1	PARAURTI COMPLETO (3LD)	
56156241	56156241N	1	TUNNEL LUNGO	
59053021	59053021H	1	BUMPER C.15LD-ACT-GX ALUM.	
59056127	59056127H	1	BUMPER FOR 740	



Pos.	Code	Q.ty	Description	Notes
1	31112154	1	SCREW TE M8X40 UNI 5739 8G	
2	31241084	1	SELFLOCK NUT M8 6S	
3	31112171	1	SCREW TE C/F M8X16 DIN 6921	
4	58057266	1	HOLDER	
5	56156241N	1	TUNNEL LUNGO	
6	31121008	1	SCREW TBCEI M10X16 ISO 7380	
7	58056991	1	CABLE GLAND	
8	56157399	1	HOLDER	
9	31112085	1	SCREW TE M6X16 DIN 6921 8G	
10	59056127H	1	BUMPER FOR 740	For motors L100 - 15LD440 - 500
11	59053021H	1	BUMPER C.15LD-ACT-GX ALUM.	For the engine GX390
12	31100451	1	SCREW 3,5X25	Replaces 55252415
13	55252504	1	HALF BEARING	Replaces 55252415
14	31510100	1	RIBBED SCREW 6,3X19 UNI 6950	Replaces 55252415
15	55252503	1	FREGIO ANT.MC 2010 FERRARI	Replaces 55252415
16	55252406	1	GUARD	
17	55252413	1	GUARD	
19	31112210	1	SCREW TE M10X20 UNI 5739	
20	31423105	1	SPRING WASHER 10,5	
21	590C0060H	1	PARAURTI COMPLETO (3LD)	Replaces 590C0075



(1) sostituisce (580.56798Z + 314.80180)



300 serie PS
PowerSafe®

COMANDO FRIZIONE POWERSAFE

POWERSAFE CLUTCH CONTROL
CONTROL EMBRAGUE POWERSAFE

CONTRÔLE EMBRAYAGE POWERSAFE
REGELUNG POWERSAFE KUPPLUNG

DALLA MACCHINA
DE LA MAQUINA
DE LA MACHINA
FROM THE MACHINE
AB DER MASCHINE

★ N.

AGGIORNAMENTO
APLAZAMIENTO
MISE A JOUR
REVISION
ANPASSUNG

B01

Rev. 2

09/2010

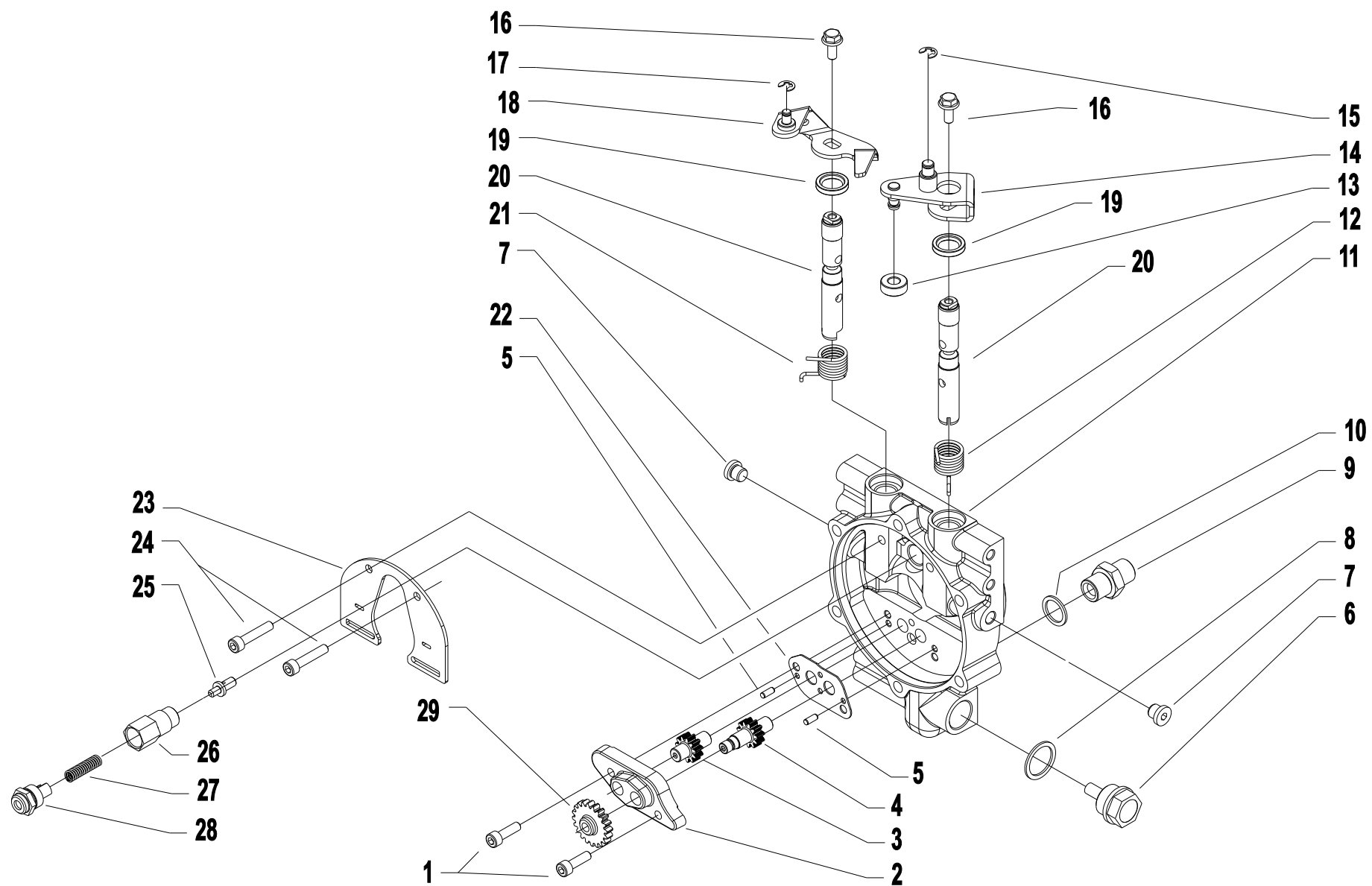
Pos.	Code	Q.ty	Description	Notes
31112084	31112084	1	VITE TE C/F M6X14 DIN 6921 8G	
31152060	31152060	1	SCREW TCEI M6X30 UNI 5931	
31152063	31152063	1	SCREW TCEI M6X20 UNI 5931	
31480184	31480184	1	COPPER WASHER 16,7x22/1,5	
34221040	34221040	1	CYLINDRICAL PLUG	
35211050	35211050	1	SEEGER RING	
35211060	35211060	1	SEEGER RING E 6 UNI 7434	
38211400	38211400	1	OIL SEAL 14X22X4	
51156214	51156214	1	COVER	
52456217	52456217	1	DRIVEN GEAR	
52456220	52456220	1	DISTRIBUTOR	
52456223	52456223	1	GEAR	
52456235	52456235	1	PUMP GEAR	
55256228	55256228	1	ROLLER	
56156224	56156224	1	SHIELD	
56156658	56156658	1	VALVE SEAT	
56356242	56356242	1	TAPPO VALVOLA	
56356661	56356661	1	COUNTERWEIGHT	
56456657	56456657	1	VALVE	
58056192	58056192	1	SPRING	
58056221	58056221	1	SPRING	
58056222	58056222	1	SPRING	
580C0041	580C0041	1	TAPPO 1/8 GAS - 107601 CAST	
58170021	58170021	1	PLUG	
59256200	59256200	1	CLUTCH FLANGE	
59056225	59056225Z	1	CLUTCH LEVER	
59056230	59056230Z	1	LEVER	
F0844273	F0844273090	1	GASKET 22X28X1,5 CU 99,5	

SERIAL

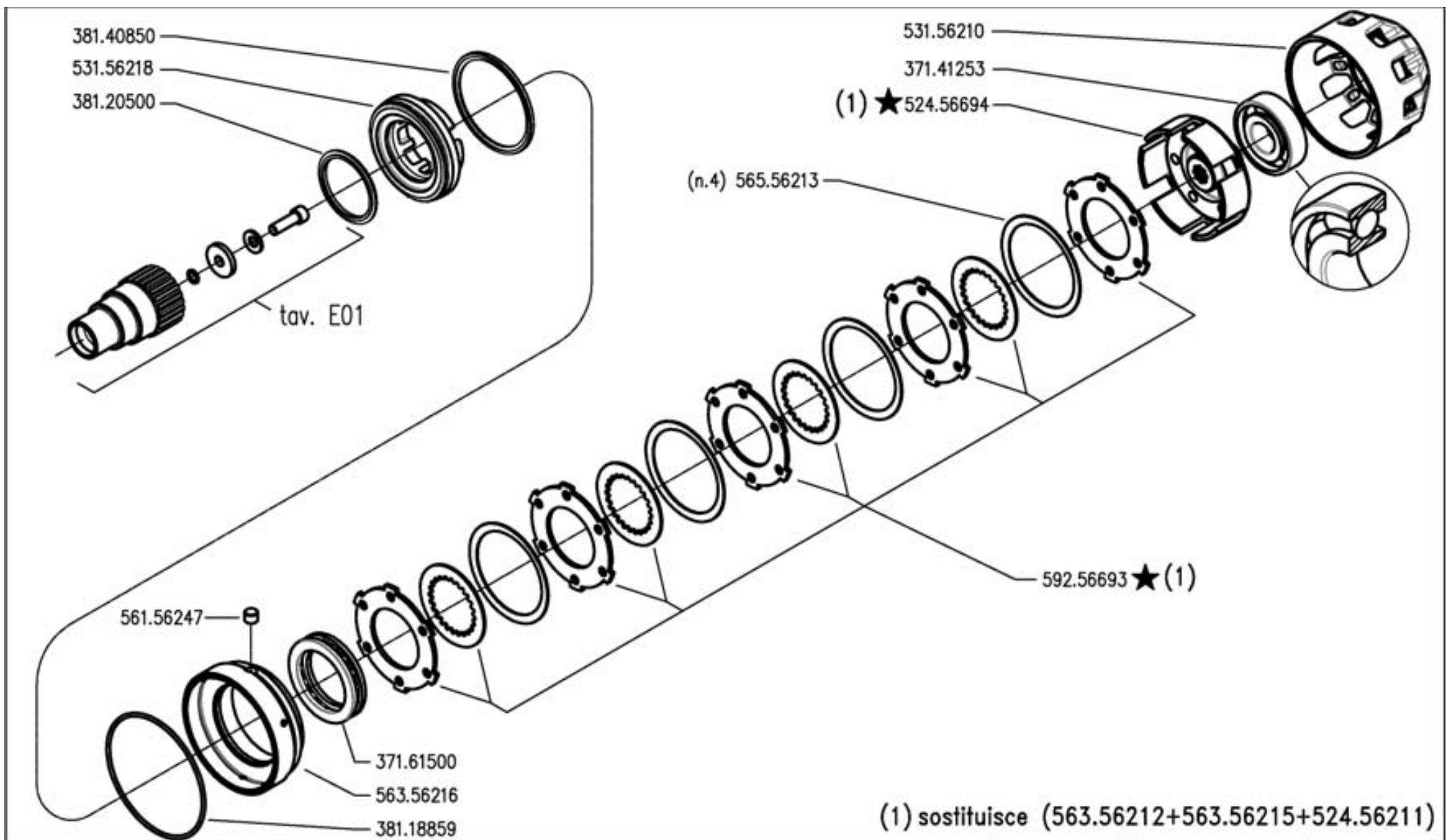
POWERSAFE CLUCH CONTROL

CODE REV

B01_2_77329



Pos.	Code	Q.ty	Description	Notes
1	31152063	1	SCREW TCEI M6X20 UNI 5931	
2	51156214	1	COVER	
3	52456217	1	DRIVEN GEAR	
4	52456223	1	GEAR	
5	34221040	1	CYLINDRICAL PLUG	
6	58170021	1	PLUG	
7	580C0041	1	TAPPO 1/8 GAS - 107601 CAST	
8	F0844273090	1	GASKET 22X28X1,5 CU 99,5	
9	30000197	1	NIPPLE	
10	31480184	1	COPPER WASHER 16,7x22/1,5	
11	59256200	1	CLUTCH FLANGE	
12	58056222	1	SPRING	
13	55256228	1	ROLLER	
14	59056225Z	1	CLUTCH LEVER	
15	35211060	1	SEEGER RING E 6 UNI 7434	
16	31112084	1	VITE TE C/F M6X14 DIN 6921 8G	
17	35211050	1	SEEGER RING	
18	59056298Z	1	LEVA STOP C.TA ZNT	Replaces 59056230Z from serial 901289
19	38211400	1	OIL SEAL 14X22X4	
20	52456220	1	DISTRIBUTOR	
21	58056221	1	SPRING	
22	56356661	1	COUNTERWEIGHT	
23	56156224	1	SHIELD	
24	31152060	1	SCREW TCEI M6X30 UNI 5931	
25	56456657	1	VALVE	
26	56156658	1	VALVE SEAT	
27	58056683	1	MOLLA VALVOLA 2.5	Replaces 58056192 from serial number 883609
28	56356242	1	TAPPO VALVOLA	



300 serie PS
PowerSafe®

CILINDRO E FRIZIONE POWERSAFE

CYLINDER AND POWERSAFE CLUTCH

CILINDRO Y EMBRAGUE POWERSAFE

CYLINDER ET EMBRAYAGE POWERSAFE

ZILINDER UND POWERSAFE KÜPPLUNG

DALLA MACCHINA
DE LA MAQUINA
DE LA MACHINA
FROM THE MACHINE
AB DER MASCHINE



N.

852604

C01

04/2010

Rev.

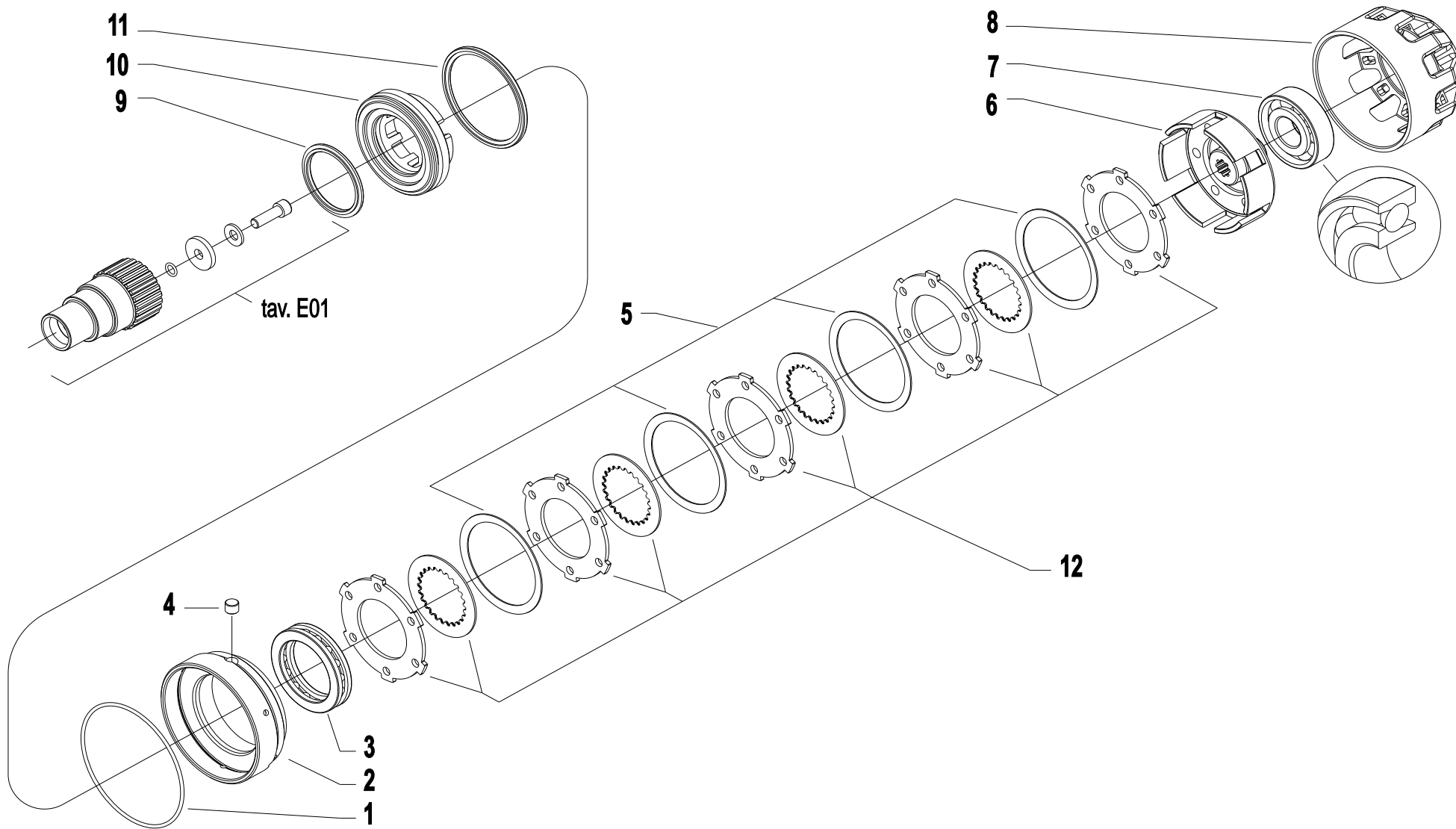
1

Pos.	Code	Q.ty	Description	Notes
37141253	37141253	1	BEARING	
37161500	37161500	1	BEARING	
38118859	38118859	1	O-RING	
38120500	38120500	1	RING	
38140850	38140850	1	RING	
52456694	52456694	1	CAMPANA FRIZIONE	
53156210	53156210	1	SUMP	
53156218	53156218	1	PISTON	
56156247	56156247	1	PIN	
56356216	56356216	1	RING	
56556213	56556213	1	SPRING	
59256693	59256693	1	9 DISC CLUTCH	

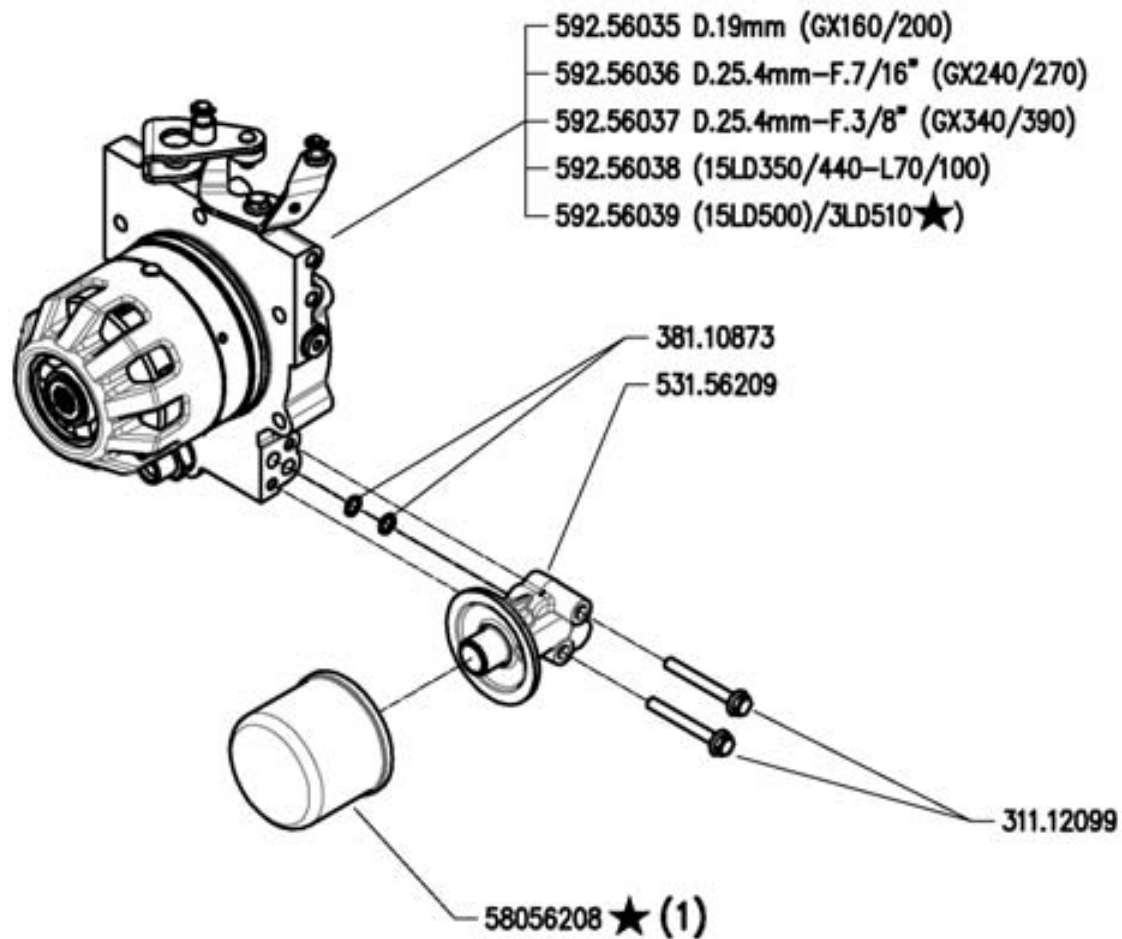
SERIAL
START
852604

CYLINDER AND POWERSAFE CLUTCH

CODE REV
C01_1_72820



Pos.	Code	Q.ty	Description	Notes
1	38118859	1	O-RING	
2	56356216	1	RING	
3	37161500	1	BEARING	
4	56156247	1	PIN	
5	56556213	1	SPRING	
6	52456694	1	CAMPANA FRIZIONE	Replaces 56356212 + 56356215 + 52456211
7	37141253	1	BEARING	
8	53156210	1	SUMP	
9	38120500	1	RING	
10	53156218	1	PISTON	
11	38140850	1	RING	
12	59256693	1	9 DISC CLUTCH	Replaces 56356212 + 56356215 + 52456211



(1) sostituisce 580.56249

FERRARI

300 serie PS
 PowerSafe®

GRUPPO E FILTRO POWERSAFE

POWERSAFE FILTER AND UNIT

FILTRO POWERSAFE

FILTRE POWERSAFE

POWERSAFE FILTER

DALLA MACCHINA
 DE LA MACCHINA
 DE LA MACCHINA
 FROM THE MACHINE
 AB DER MASCHINE

★ N.

AGGIORNAMENTO
 APLAZAMIENTO
 MISE A JOUR
 REVISION
 ANPASSUNG

D01

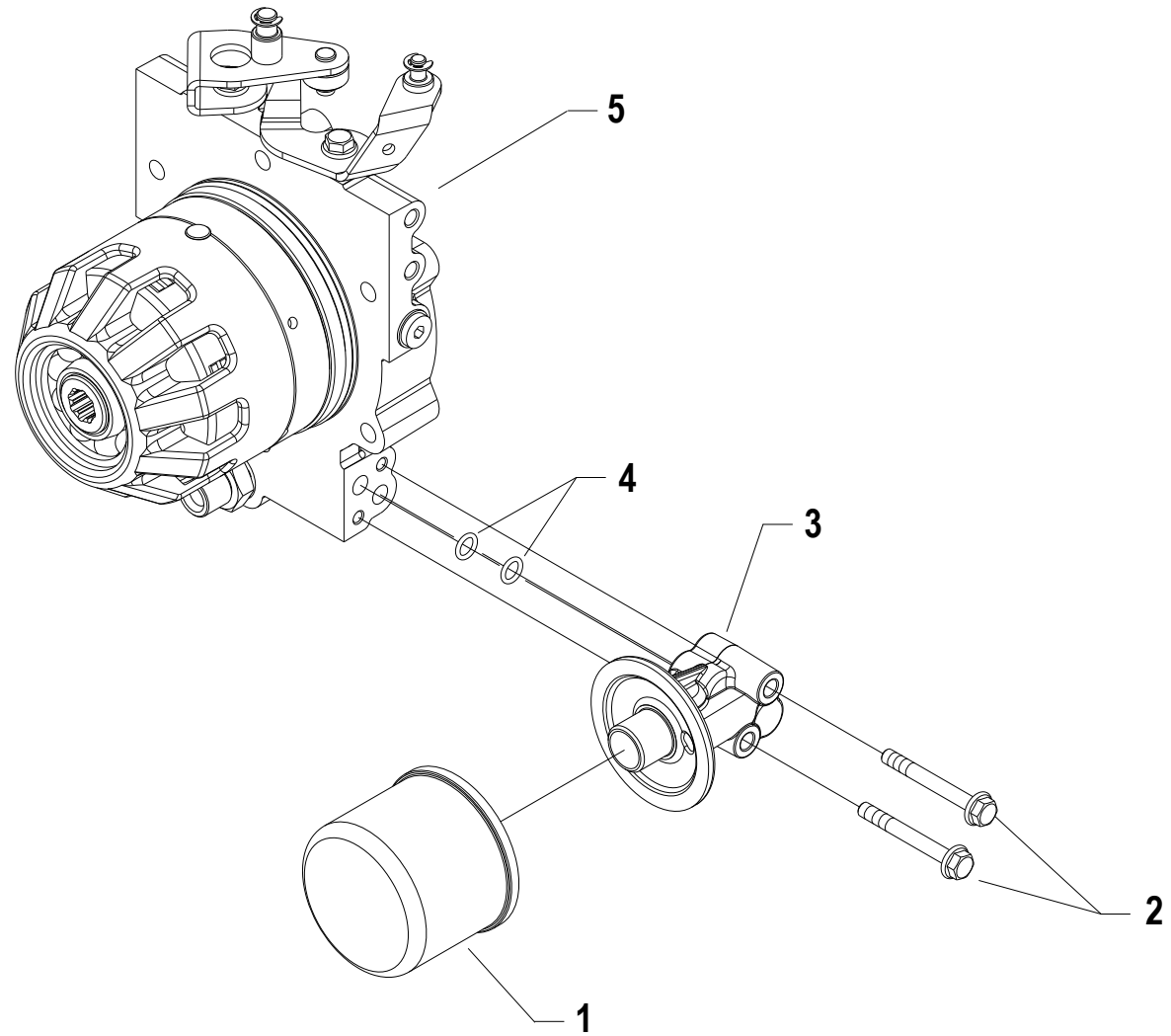
11/2010

Rev.

1

Pos.	Code	Q.ty	Description	Notes
31112099	31112099	1	VITE TE C/F M6X50 DIN 6921 8G	
38110873	38110873	1	O-RING 108 (8,73X1,78)	
53156209	53156209	1	CONNECTION	
58056208	58056208	1	FILTER	
59256035	59256035	1	POWERSAFE CLUTCH ASSY Q19	
59256036	59256036	1	POWERSAFE CLUTCH	
59256037	59256037	1	GR.FRIZ.POWERSAFE Q25.4 (3/8)	
59256038	59256038	1	POWERSAFE CLUTCH	
59256039	59256039	1	POWERSAFE CLUTCH ASSY	

POWERSAFE FILTER UNIT



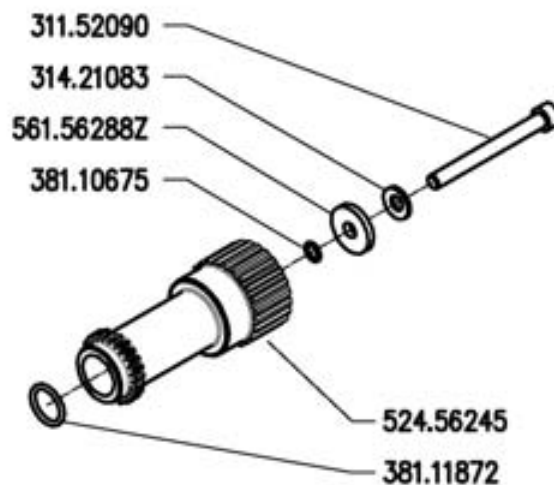
Pos.	Code	Q.ty	Description	Notes
1	58056208	1	FILTER	
2	31112099	1	VITE TE C/F M6X50 DIN 6921 8G	
3	53156209	1	CONNECTION	
3	53156659	1	CONNECTION	Powersafe EasyDrive
4	38110873	1	O-RING 108 (8,73X1,78)	
5	59256035	1	POWERSAFE CLUTCH ASSY Q19	For motors GX160/200
5	59256036	1	POWERSAFE CLUTCH	For motors GX240/270-EX21
5	59256037	1	GR.FRIZ.POWERSAFE Q25.4 (3/8)	For motors GX340/390
5	59256038	1	POWERSAFE CLUTCH	For motors 15LD350/440-L70/100
5	59256039	1	POWERSAFE CLUTCH ASSY	For motors 15LD500/3LD510



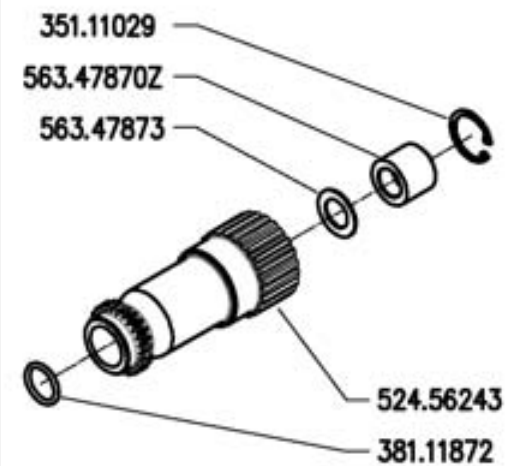
GX 160-200



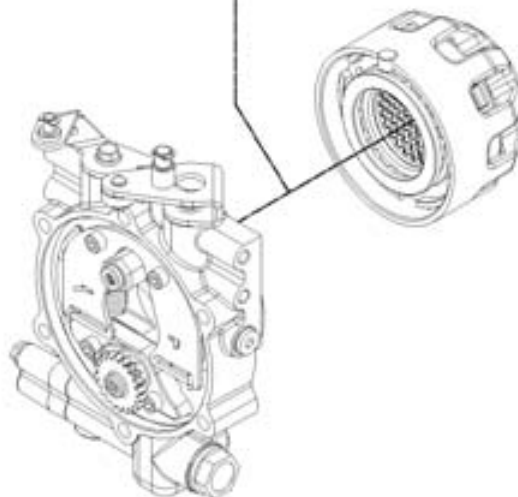
GX 240-270-340-390



15LD350-440 - L70-100



15LD500-3LD510 ★



300 serie PS
PowerSafe®

MOZZI FRIZIONE POWERSAFE

POWERSAFE CLUTCH HUBS
CUBOS EMBRAGUE POWERSAFE

MOYEURS EMBRAYAGE POWERSAFE
NABEN POWERSAFE KUPPLUNG

DALLA MACCHINA
DE LA MACCHINA
DE LA MACCHINA
FROM THE MACHINE
AB DER MASCHINE



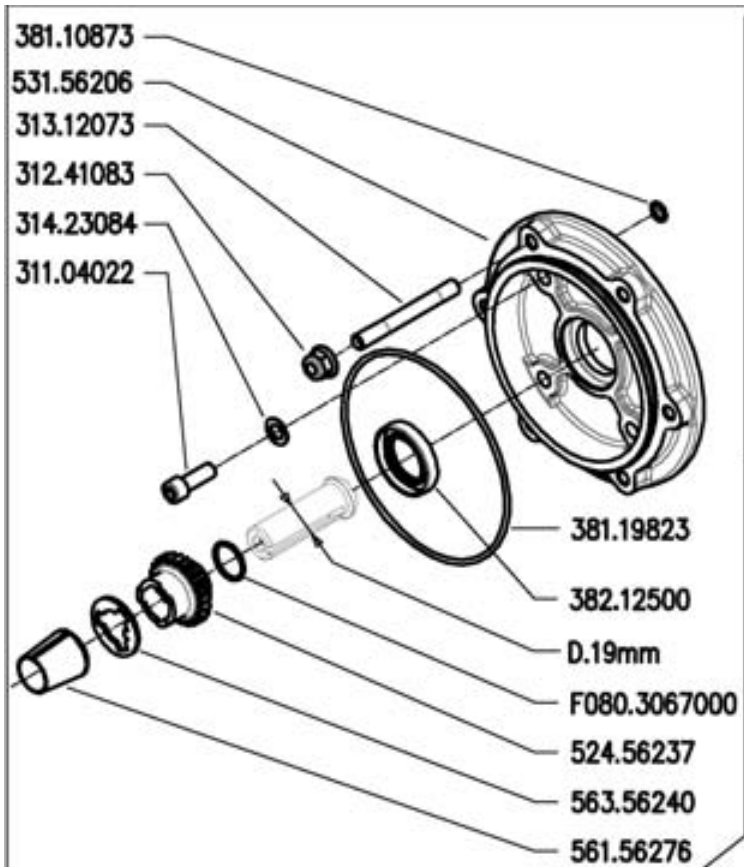
AGGIORNAMENTO
APLAZAMIENTO
MISE A JOUR
REVISION
ANPASSUNG

E01

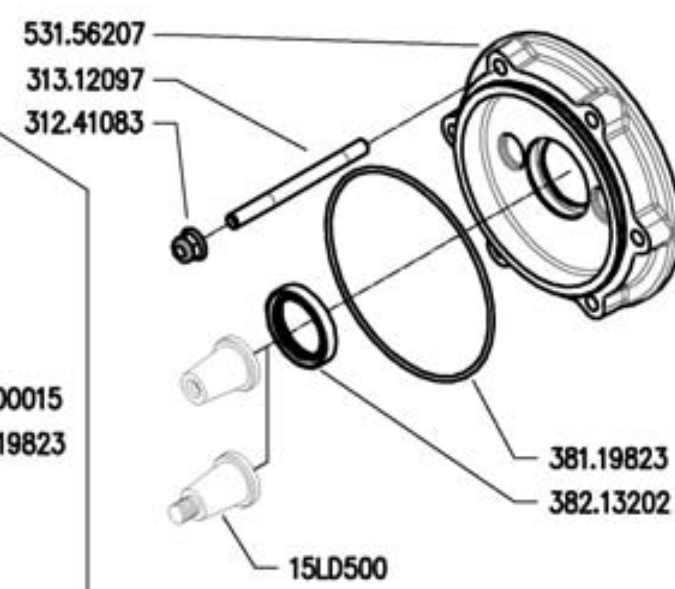
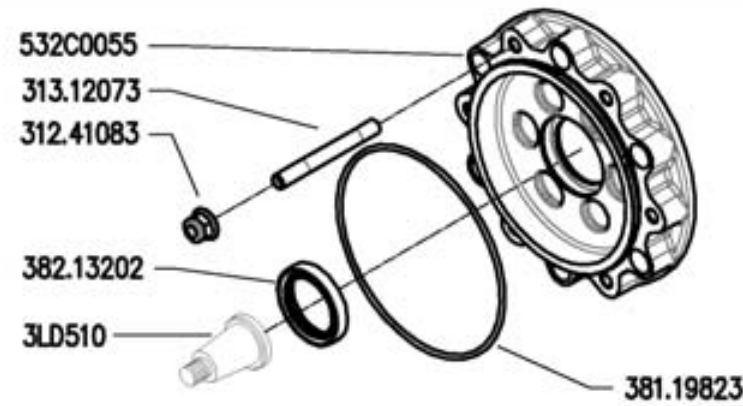
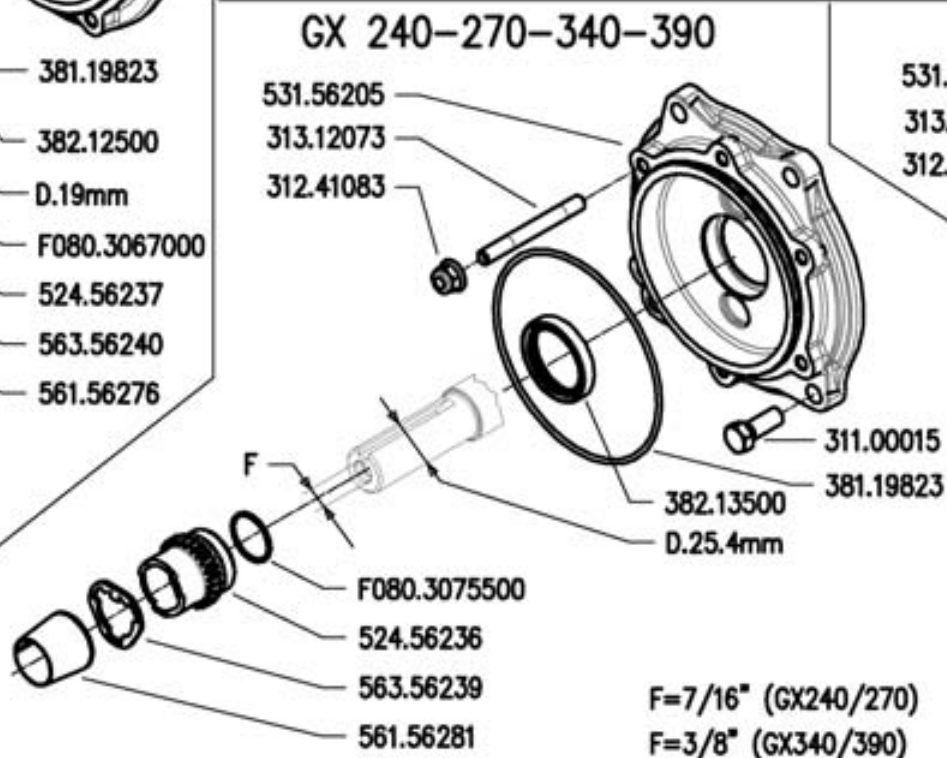
Rev.
1

11/2010

Pos.	Code	Q.ty	Description	Notes
31100023	31100023	1	SCREW 5/16-24	
31100029	31100029	1	SCREW TSVEI 7/16-20X1 1/2 UNF8G	
31100031	31100031	1	VITE TSVEI 3/8-24X1 1/2 UNF 8G	
31152090	31152090	1	SCREW TCEI M8x80 UNI5931	
31421083	31421083	1	WASHER	
35111029	35111029	1	SEEGER RING	
38110675	38110675	1	O-RING 106 (6.75X1.78)	
38111872	38111872	1	O-RING 3075 (18,72x2,62)	
52456233	52456233	1	HUB	
52456234	52456234	1	HUB	
52456243	52456243	1	HUB	
52456245	52456245	1	HUB	
56347873	56347873	1	WASHER	
56556282	56556282	1	WASHER D.25,4	
56156288	56156288Z	1	SPECIAL WASHER SP.4	
56347870	56347870Z	1	SPECIAL NUT	



GX 160-200



15LD350-440-500
L70-100



300 serie PS
PowerSafe®

ENGINE FLANGES
BRIDAS MOTOR

FLANGIE MOTORE

BRIDES MOTEUR
MOTOR FLANSCH

DALLA MACCHINA
DE LA MAQUINA
DE LA MAQUINA
FROM THE MACHINE
AB DER MASCHINE

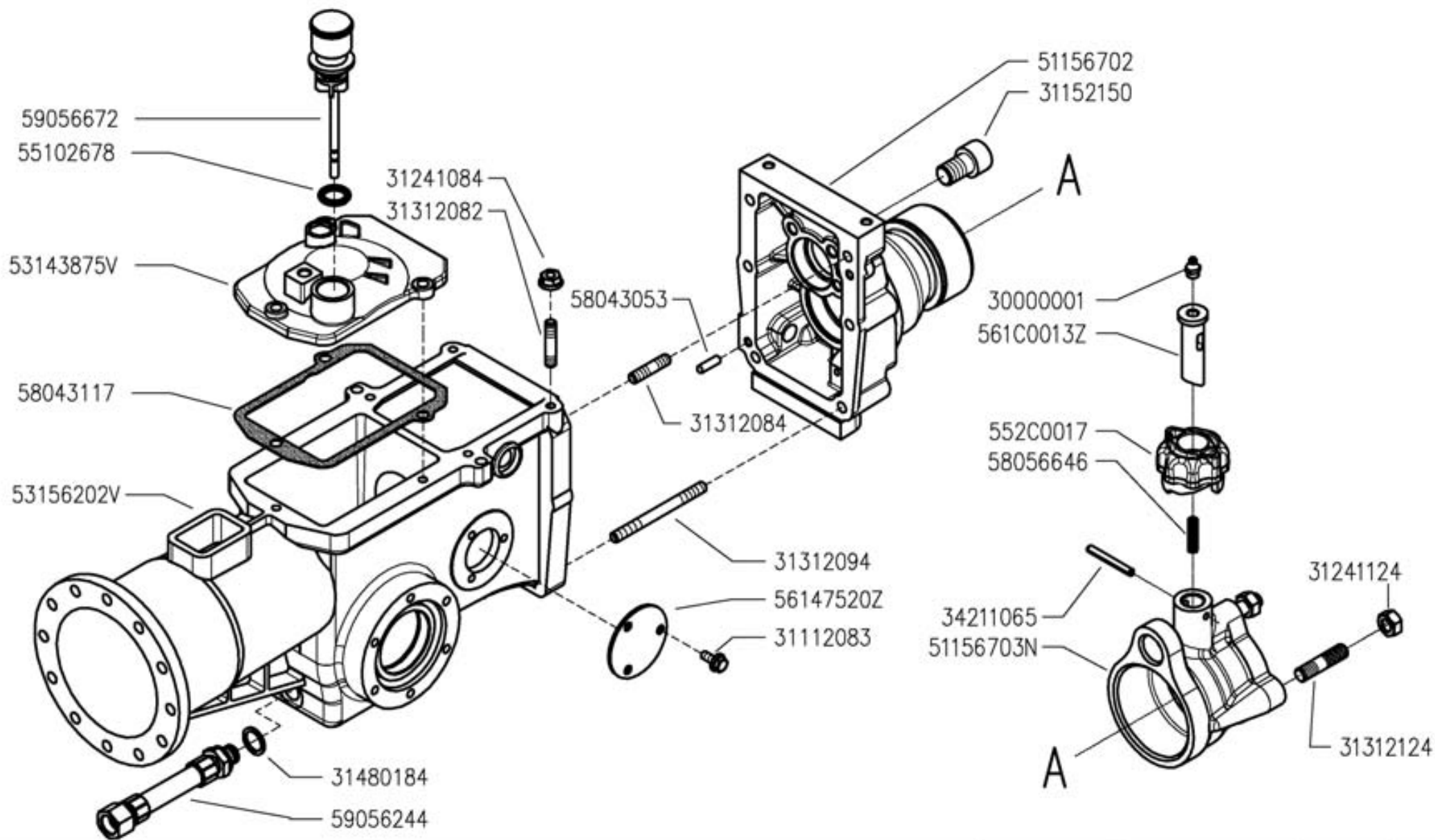
★ N.

AGGIORNAMENTO
APLAZAMIENTO
MISE A JOUR
REVISION
ANPASSUNG

Rev.
F01 1
11/2010

DITE.BCS - Scala 1:6

Pos.	Code	Q.ty	Description	Notes
31100015	31100015	1	SCREW TE 3/8X1	
31104022	31104022	1	VITE TCEI 5/16X7/8 UNF 12K	
31241083	31241083	1	SELFLOCK NUT M8	
31312073	31312073	1	STUD BOLT	
31312097	31312097	1	STUD BOLT	
31423084	31423084	1	SPRING WASHER 8,4	
38110873	38110873	1	O-RING 108 (8,73X1,78)	
38119823	38119823	1	O-RING	
38212500	38212500	1	OIL SEAL 25X40X7	
38213202	38213202	1	OIL SEAL 32X45X7	
38213500	38213500	1	OIL SEAL 35X47X7	
52456236	52456236	1	PUMP GEAR	
52456237	52456237	1	PUMP GEAR	
53156205	53156205	1	ENGINE FLANGE	
53156206	53156206	1	ENGINE FLANGE	
53156207	53156207	1	ENGINE FLANGE	
532C0055	532C0055	1	FLANGIA MOTORE ACT	
56156276	56156276	1	SLEEVE	
56156281	56156281	1	CENTRING BUSH	
56356239	56356239	1	TRASCINATORE Q25	
56356240	56356240	1	TRASCINATORE Q19	
F0803067	F0803067000	1	O-RING 2075 (18,77X1,78)	
F0803075	F0803075500	1	O-RING 2100 (25,12X1,78)	



300 serie PS
PowerSafe®

GEARBOX
CAJA DE CAMBIO

SCATOLA CAMBIO
(360)

BOITE DE VITESSES
WECHSELGETRIEBE

DALLA MACCHINA
DE LA MACCHINA
DE LA MACCHINA
FROM THE MACHINE
AB DER MASCHINE

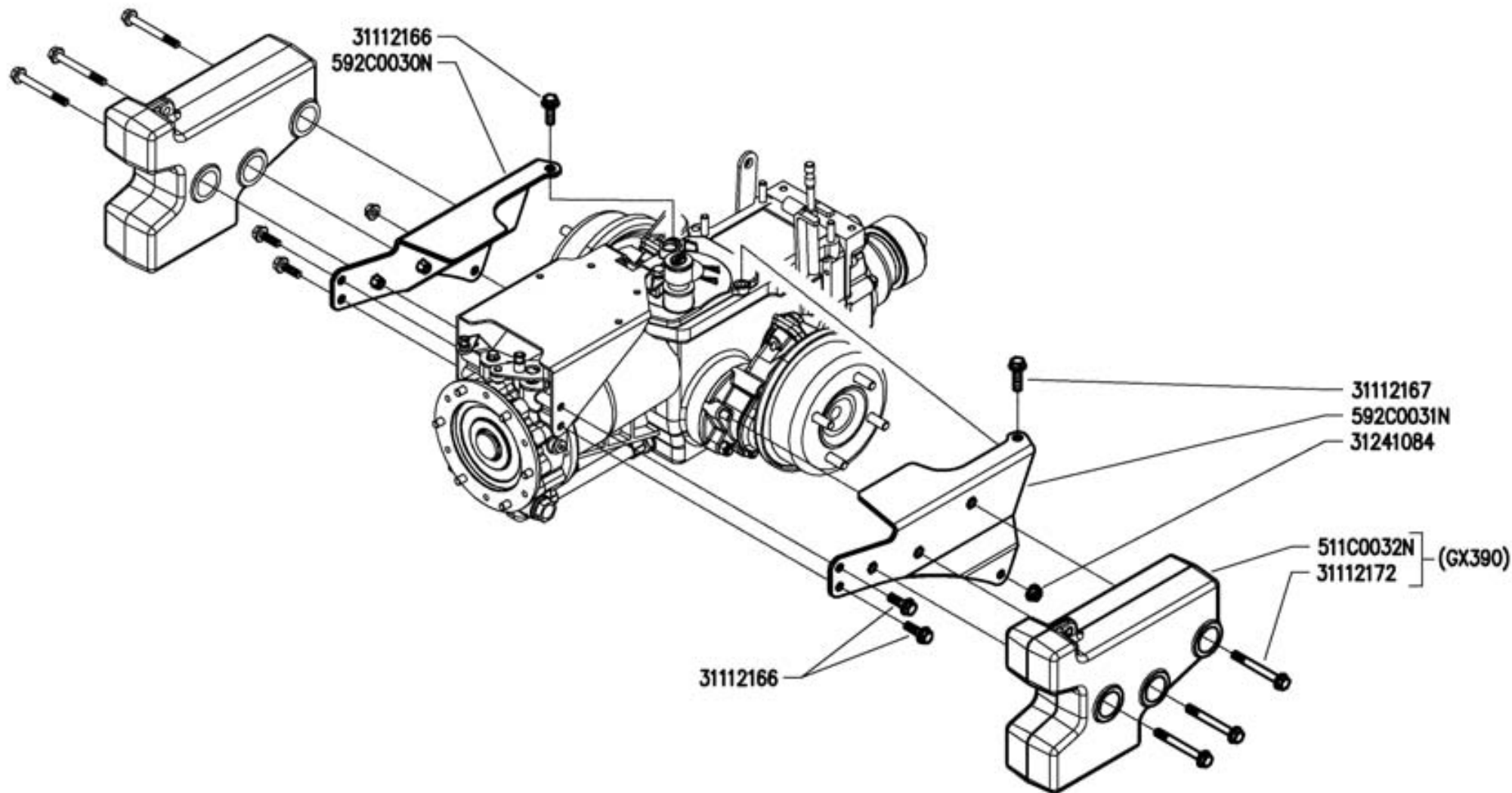
N.

G03

11/2010

Rev. 0

Pos.	Code	Q.ty	Description	Notes
30000001	30000001	1	LUBRICATOR M10	
31112083	31112083	1	SCREW M6X12	
31152150	31152150	1	SCREW TCEI M16X25 UNI 5931	
31241084	31241084	1	SELFLOCK NUT M8 6S	
31241124	31241124	1	SELFLOCK NUT M12x1,25	
31312082	31312082	1	STUD BOLT M8X38X14X20	
31312084	31312084	1	STUD BOLT M8X58X16X16	
31312094	31312094	1	STUD BOLT M8X68X14X36	
31312124	31312124	1	STUD BOLT	
31480184	31480184	1	COPPER WASHER 16,7x22/1,5	
34211065	34211065	1	ROLL PIN	
51156702	51156702	1	COPERCHIO POSTERIORE 750	
55102678	55102678	1	RUBBER RING	
552C0017	552C0017	1	MANOPOLA ATTACCO RAPIDO	
58043053	58043053	1	CYLINDRICAL PLUG	
58043117	58043117	1	COVER GASKET	
58056646	58056646	1	SPRING	
59056244	59056244	1	TUBO ASPIRAZIONE LUNGO C.TO	
59056672	59056672	1	TAPPO C/ASTA LIVELLO OLIO ED	
51156703	51156703N	1	THREE-POINT LINKAGE	
53143875	53143875V	1	GEARBOX HOUSING COVER	
53156202	53156202V	1	BOX CASING	
56147520	56147520Z	1	COVER	
561C0013	561C0013Z	1	PIOLO ZNT	



300 serie PS
PowerSafe®

FARINGS
CARENADOS

CARENATURE (360)

CARENAGES
VERKLEIDUNGEN

DALLA MACCHINA
DE LA MAQUINA
DE LA MAQUINA
FROM THE MACHINE
AB DER MASCHINE

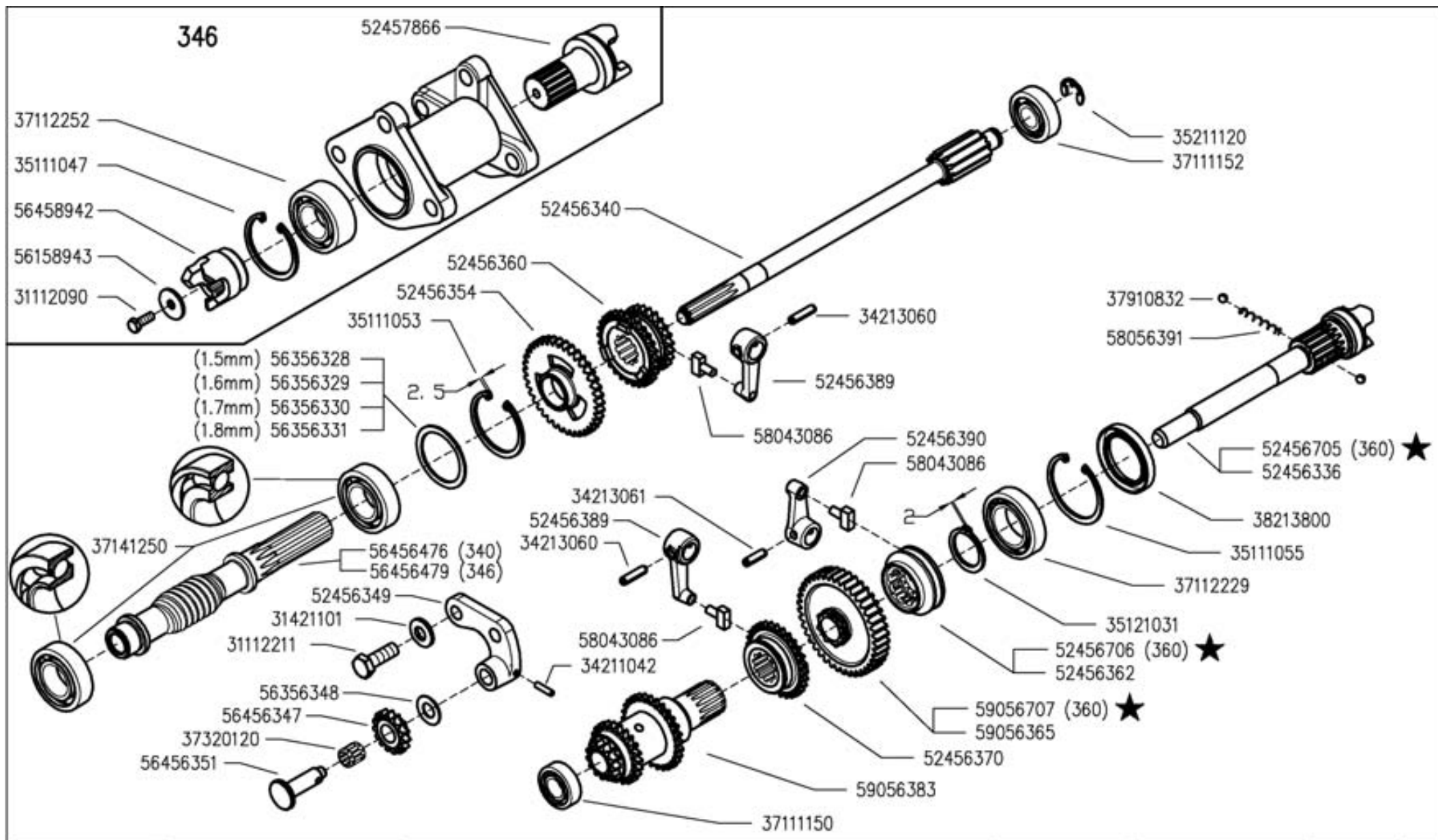
N.

G04 0

11/2010

Rev.

Pos.	Code	Q.ty	Description	Notes
31112166	31112166	1	SCREW TE C/F M8X25 DIN 6921 8G	
31112167	31112167	1	SCREW TE C/F M8X30 DIN 6921 8G	
31112172	31112172	1	VITE TE C/F M8X70 DIN 6921	
31241084	31241084	1	SELFLOCK NUT M8 6S	
511C0032	511C0032N	1	ZAVORRA 750 (17 Kg)	
592C0030	592C0030N	1	LAMIERA DX C.TA SCATOLA CAMBIO	
592C0031	592C0031N	1	LAMIERA SX C.TA SCATOLA CAMBIO	



300 serie PS
PowerSafe®

GEARS
ENGRANAJES

INGRANAGGI CAMBIO
(340-346-360★)

ENGRANAGES
ZÄHRÄDER

DALLA MACCHINA
DE LA MAQUINA
DE LA MACHINA
FROM THE MACHINE
AB DER MASCHINE

★ N.

AGGIORNAMENTO
APLAZAMIENTO
MISE A JOUR
REVISION
ANPASSUNG

H03 1

11/2010

Rev.

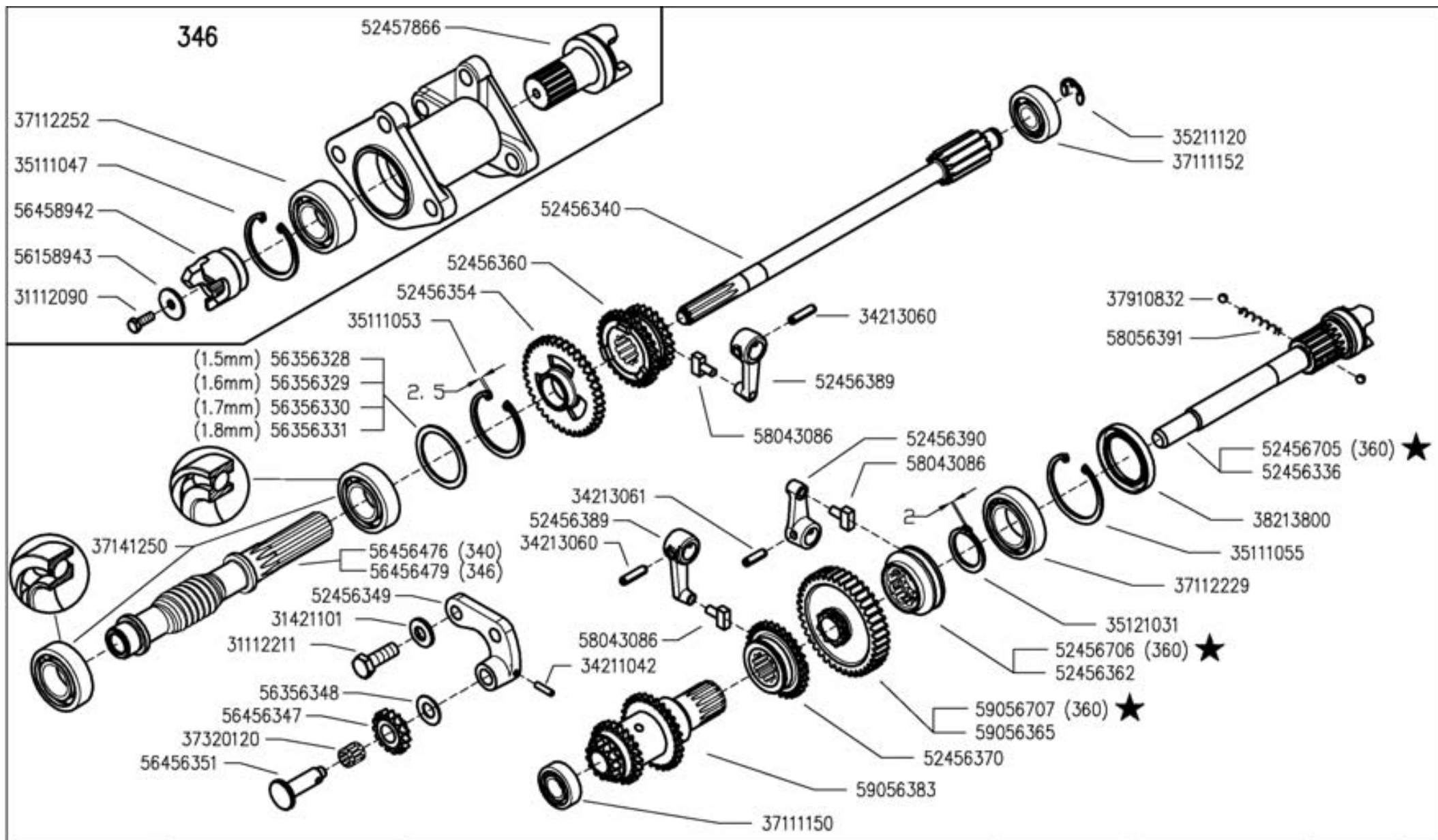
Pos.	Code	Q.ty	Description	Notes
31112090	31112090	1	SCREW TE M6X16 UNI 5739 8G	
31112211	31112211	1	SCREW TE M10X30 UNI 5739	
31421101	31421101	1	WASHER	
34211042	34211042	1	ROLL PIN	
34213060	34213060	1	ROLL PIN	
34213061	34213061	1	ROLL PIN	
35111047	35111047	1	SEEGER RING I 47 DIN 472	
35111053	35111053	1	SEEGER RING I 52 UNI 7438	
35111055	35111055	1	SEEGER RING I 55 DIN 472	
35121031	35121031	1	SEEGER RING E 30 UNI 7436	
35211120	35211120	1	SEEGER RING E 12 UNI 7434	
37111150	37111150	1	BEARING	
37111152	37111152	1	BEARING	
37112229	37112229	1	BEARING	
37112252	37112252	1	BEARING	
37141250	37141250	1	BEARING	
37320120	37320120	1	ROLLER CAGE 12X15/10	
37910832	37910832	1	BALL 1/4	
38213800	38213800	1	OIL SEAL 38X55X7	
52456336	52456336	1	PTO SHAFT	
52456340	52456340	1	SHAFT	
52456349	52456349	1	GEAR SUPPORT	
52456354	52456354	1	GEAR	
52456360	52456360	1	SLIDER	
52456362	52456362	1	COUPLING	
52456370	52456370	1	SLIDER	
52456389	52456389	1	LEVER	
52456390	52456390	1	LEVER	
52456705	52456705	1	PTO SHAFT	
52456706	52456706	1	PTO COUPLING	
52457866	52457866	1	SHAFT	
56158943	56158943	1	WASHER 7,0x25/2	
56356328	56356328	1	ADJUSTING RING SP=1,5	
56356329	56356329	1	ADJUSTING RING SP=1,6	

SERIAL

GEARS

CODE REV

H03_1_77469



300 serie PS
PowerSafe®

GEARS
ENGRANAJES

INGRANAGGI CAMBIO
(340-346-360★)

ENGRANAGES
ZÄHRÄDER

DALLA MACCHINA
DE LA MAQUINA
DE LA MACHINA
FROM THE MACHINE
AB DER MASCHINE

★ N.

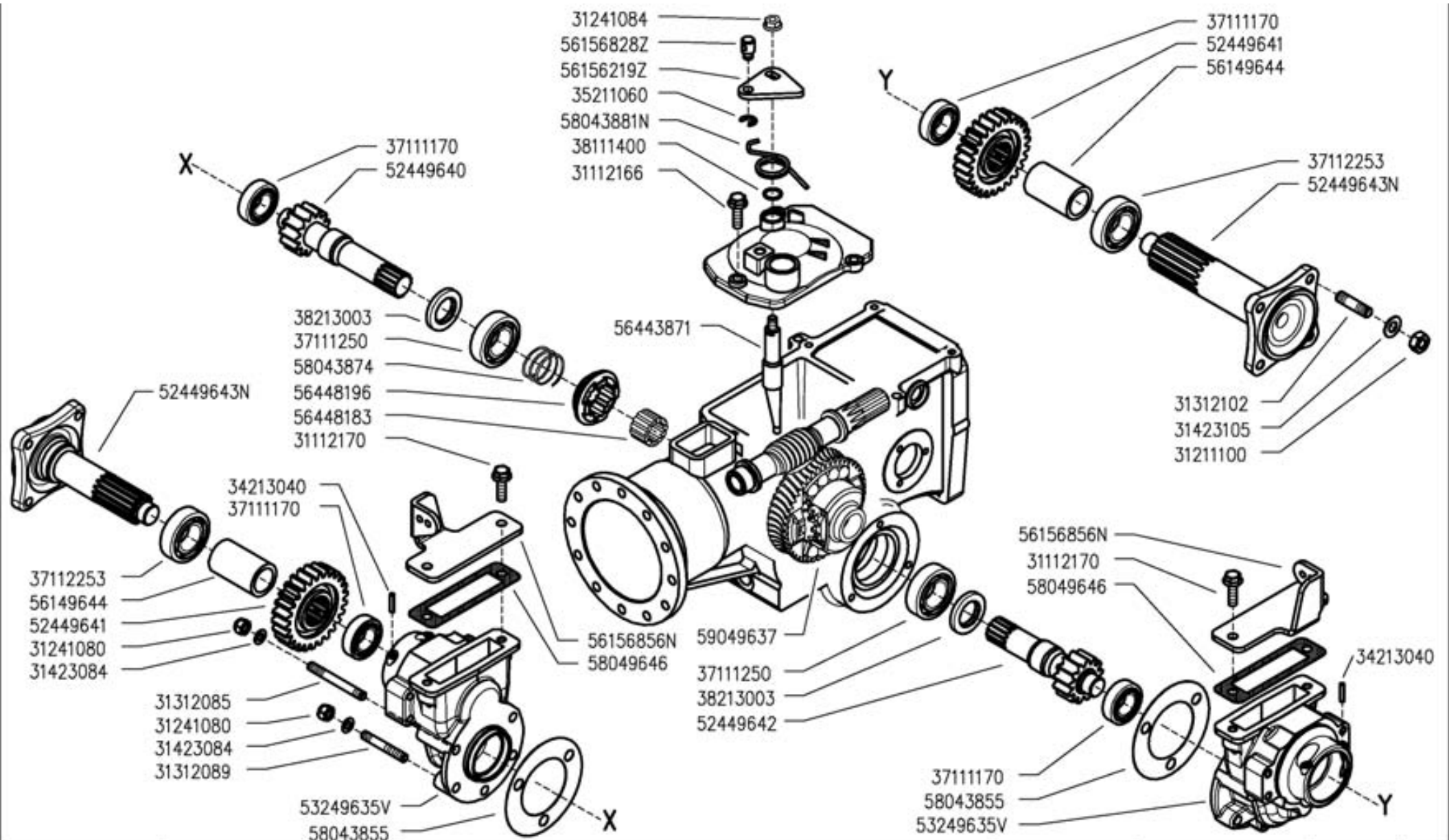
AGGIORNAMENTO
APLAZAMIENTO
MISE A JOUR
REVISION
ANPASSUNG

H03 1

11/2010

Rev.

Pos.	Code	Q.ty	Description	Notes
56356330	56356330	1	ADJUSTING RING SP=1,7	
56356331	56356331	1	ADJUSTING RING SP=1,8	
56356348	56356348	1	ADJUSTING RING	
56456347	56456347	1	GEAR	
56456351	56456351	1	GEAR PIN	
56456476	56456476	1	SCREW	
56456479	56456479	1	SCREW	
56458942	56458942	1	COUPLING	
58043086	58043086	1	SHOE	
58056391	58056391	1	SPRING	
59056365	59056365	1	PTO GEAR	
59056383	59056383	1	TRIPLE GEAR	
59056707	59056707	1	PTO GEAR	



300 serie **PS**
PowerSafe®

WHEELS AXLE
EJE RUEDAS

ASSE RUOTE
(346-360★)

ESSIEUS ROUES
RÄDACHSE

DALLA MACCHINA
DE LA MAQUINA
FROM THE MACHINE
AB DER MASCHINE

★ N.

AGGIORNAMENTO
APLAZAMIENTO
MISE A JOUR
REVISION
ANPASSUNG

I04

11/2010

Rev. **1**

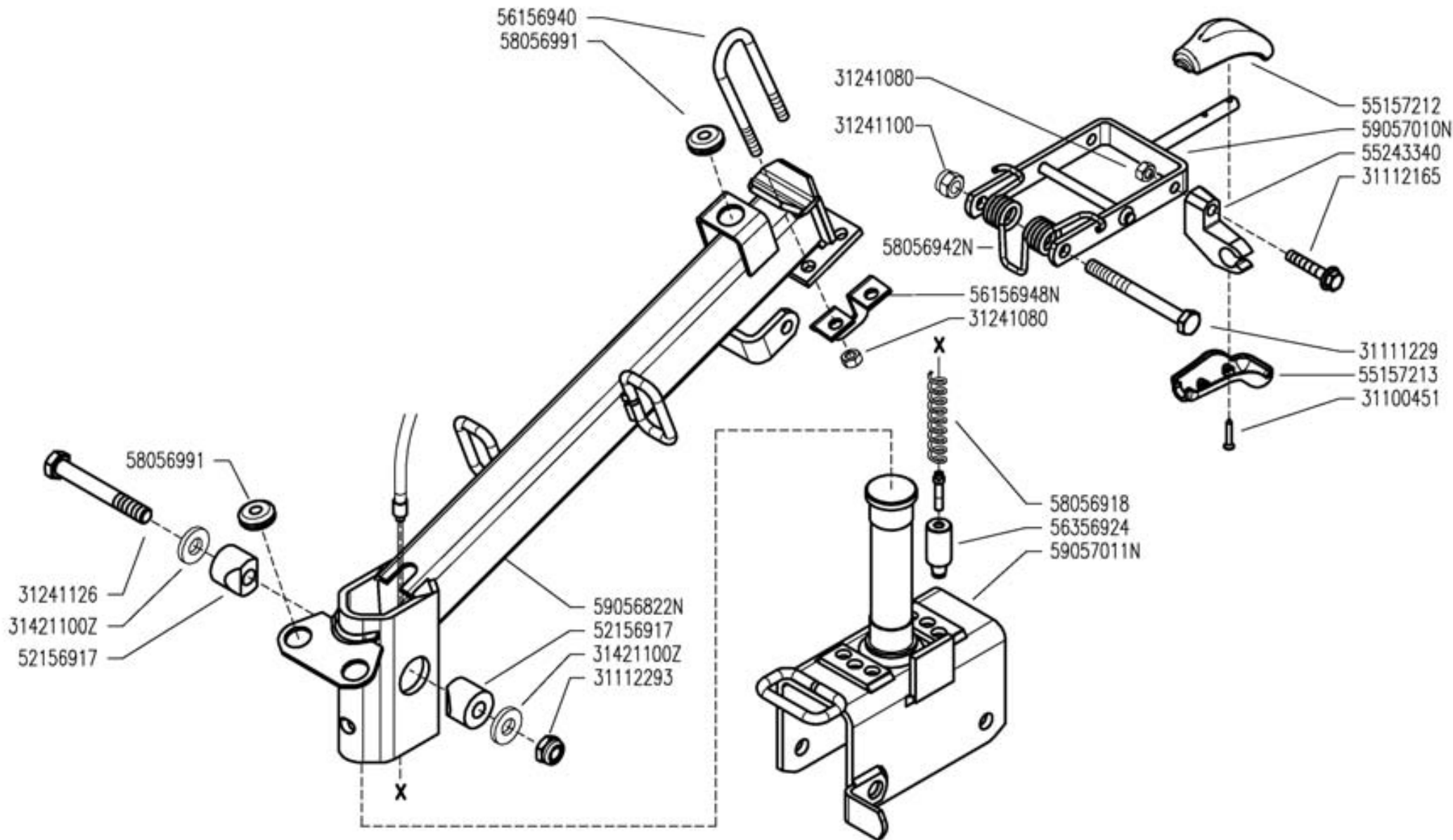
Pos.	Code	Q.ty	Description	Notes
31112166	31112166	1	SCREW TE C/F M8X25 DIN 6921 8G	
31112170	31112170	1	SCREW TE C/F M8X20 DIN 6921	
31211100	31211100	1	NUT M10	
31241080	31241080	1	SELFLOCK NUT M8	
31241084	31241084	1	SELFLOCK NUT M8 6S	
31312085	31312085	1	STUD BOLT M8X80X28X16	
31312089	31312089	1	STUD BOLT M8x52x14x18	
31312102	31312102	1	STUD BOLT M10X40X24X12	
31423084	31423084	1	SPRING WASHER 8,4	
31423105	31423105	1	SPRING WASHER 10,5	
34213040	34213040	1	ROLL PIN	
35211060	35211060	1	SEEGER RING E 6 UNI 7434	
37111170	37111170	1	BEARING	
37111250	37111250	1	BEARING	
37112253	37112253	1	BEARING	
38111400	38111400	1	O-RING 2056 (14,00X1,78)	
38213003	38213003	1	OIL SEAL 30X47X7	
52449640	52449640	1	REDUCTION SHAFT	
52449641	52449641	1	GEAR	
52449642	52449642	1	REDUCTION SHAFT	
56149644	56149644	1	SPACER	
56443871	56443871	1	ROD	
56448183	56448183	1	SPACER	
56448196	56448196	1	COUPLING	
58043855	58043855	1	GASKET	
58043874	58043874	1	SPRING	
58049646	58049646	1	COVER GASKET	
59049637	59049637	1	DIFFERENTIAL GEAR	
52449643	52449643N	1	AXLE SHAFT	
53249635	53249635V	1	REDUCTION BOX	
56156219	56156219Z	1	LEVER	
56156828	56156828Z	1	STOP	
56156856	56156856N	1	STOP	
58043881	58043881N	1	SPRING	

SERIAL

WHEELS AXLE

CODE REV

I04_1_77517



FERRARI

300 serie PS
PowerSafe®

STEERING COLUMN
COLUMNA

PIANTONE
(340-346-360 ★)

PLANTON
LENKSÄULE

DALLA MACCHINA
DE LA MACCHINA
DE LA MACCHINA
FROM THE MACHINE
AB DER MASCHINE

★N.

AGGIORNAMENTO
APLAZAMIENTO
MISE A JOUR
REVISION
ANPASSUNG

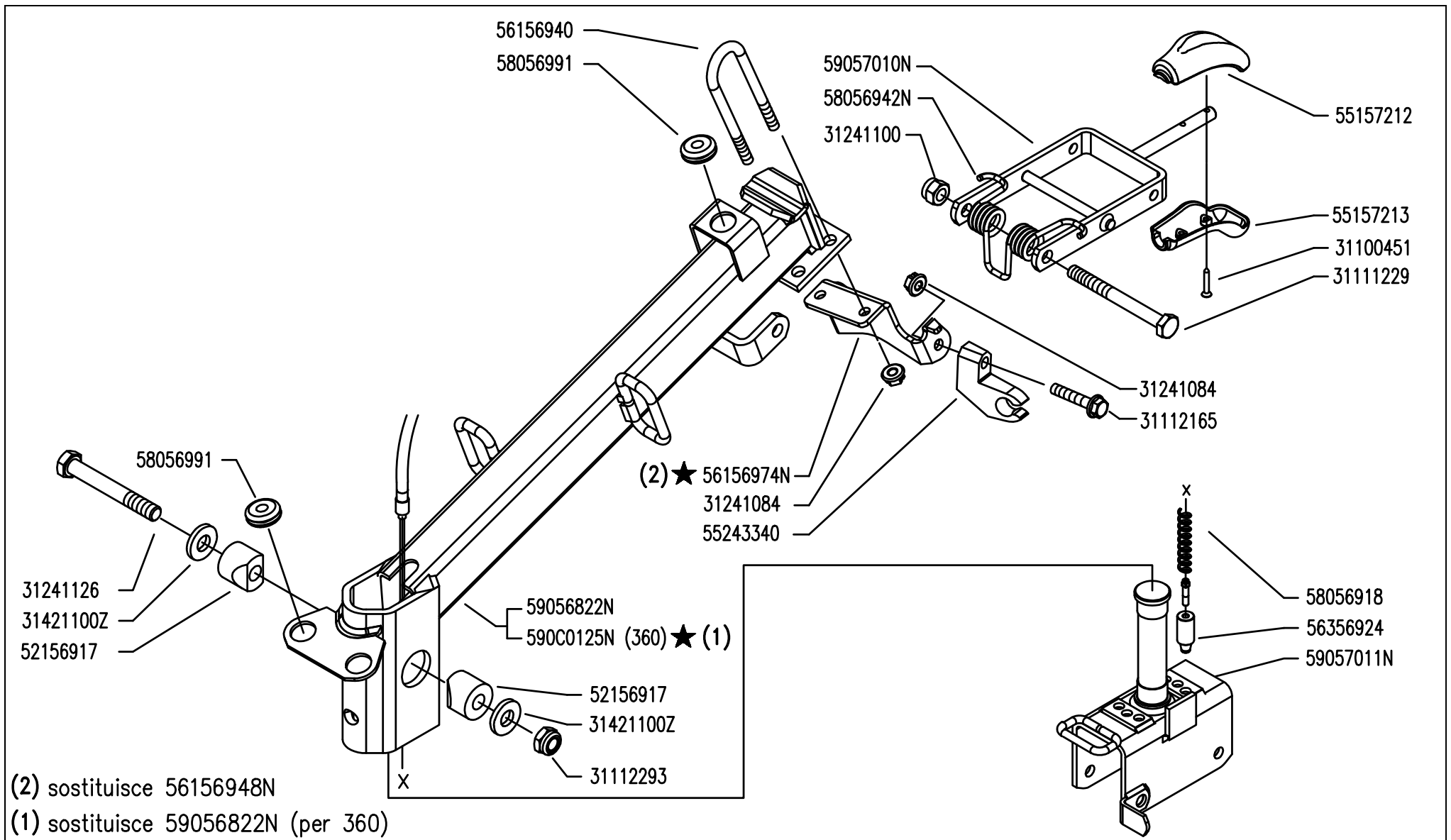
J03

11/2010

Rev.

1

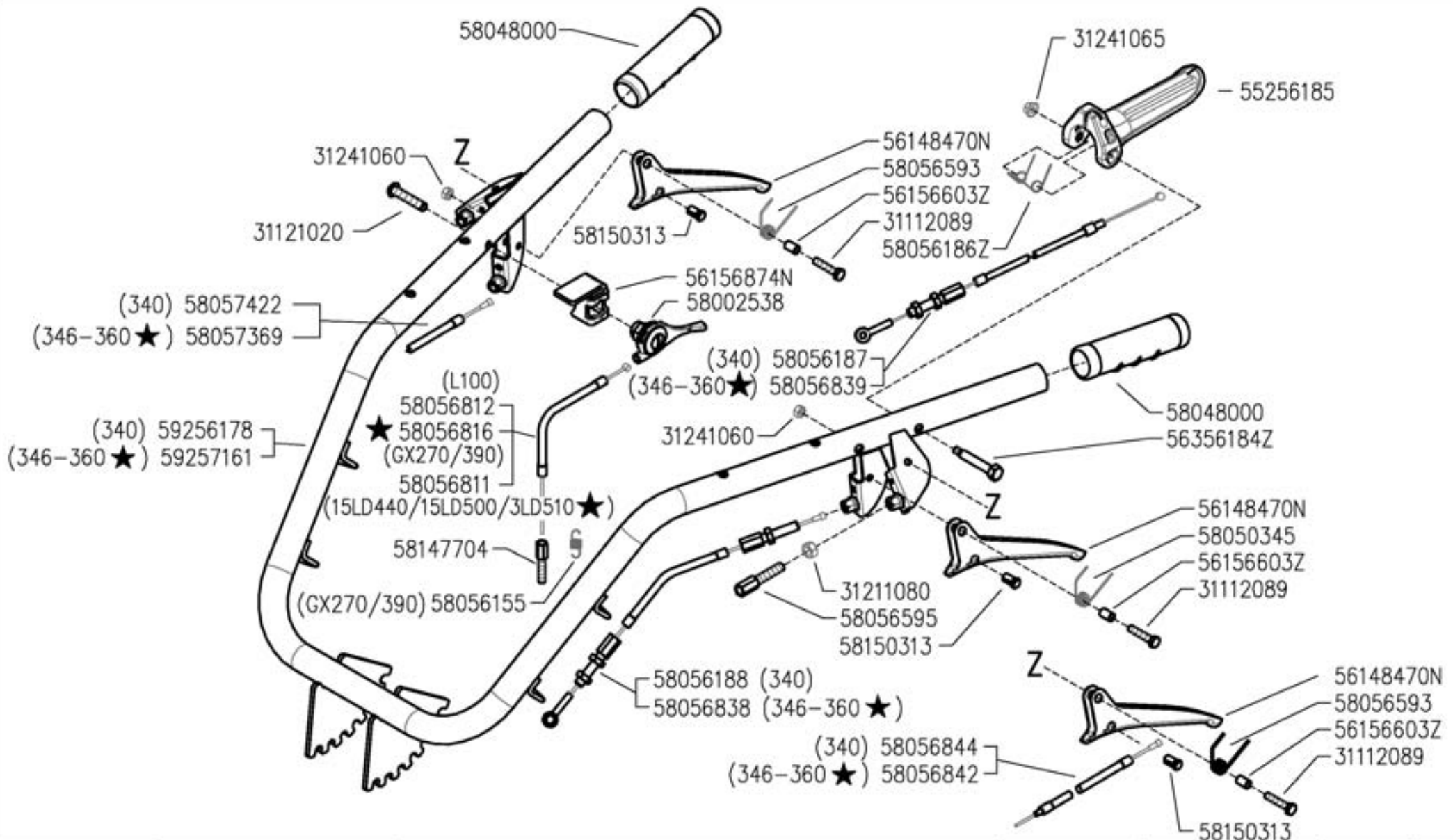
Pos.	Code	Q.ty	Description	Notes
31100451	31100451	1	SCREW 3,5X25	
31111229	31111229	1	SCREW TE M10X110 UNI 5737 8G	
31112165	31112165	1	SCREW TE C/F M8X35 DIN 6921 8G	
31112293	31112293	1	SCREW TE M12X80 UNI 5737	
31241080	31241080	1	SELFLOCK NUT M8	
31241100	31241100	1	SELFLOCK NUT M10 6S	
31241126	31241126	1	SELFLOCK NUT M12	
52156917	52156917	1	WEDGE	
55157212	55157212	1	GRIP	
55157213	55157213	1	GRIP	
55243340	55243340	1	SUPPORT	
56156940	56156940	1	U BOLT	
56356924	56356924	1	FERRULE	
58056918	58056918	1	SPRING	
58056991	58056991	1	CABLE GLAND	
31421100	31421100Z	1	CUP SPRING	
56156948	56156948N	1	STOP	
58056942	58056942N	1	SPRING	
59056822	59056822N	1	COLUMN	
59057010	59057010N	1	LEVER	
59057011	59057011N	1	CONNECTION	



(2) sostituisce 56156948N
 (1) sostituisce 59056822N (per 360)

	300 serie PS PowerSafe®	STEERING COLUMN COLUMNA	PIANTONE (340-346-360)	PLANTON LENKSÄULE	DALLA MACCHINA DE LA MAQUINA DE LA MACHINE FROM THE MACHINE AB DER MASCHINE	_____ _____ _____ _____	J03	Rev. 2
					★ N.	901936		

Pos.	Code	Q.ty	Description	Notes
31100451	31100451	1	SCREW 3,5X25	
31111229	31111229	1	SCREW TE M10X110 UNI 5737 8G	
31112165	31112165	1	SCREW TE C/F M8X35 DIN 6921 8G	
31112293	31112293	1	SCREW TE M12X80 UNI 5737	
31241084	31241084	1	SELFLOCK NUT M8 6S	
31241100	31241100	1	SELFLOCK NUT M10 6S	
31241126	31241126	1	SELFLOCK NUT M12	
55157212	55157212	1	GRIP	
55157213	55157213	1	GRIP	
55243340	55243340	1	SUPPORT	
56156940	56156940	1	U BOLT	
56356924	56356924	1	FERRULE	
58056918	58056918	1	SPRING	
58056991	58056991	1	CABLE GLAND	
31421100	31421100Z	1	CUP SPRING	
56156974	56156974N	1	SUPPORTO FISSO ASTE MC	Sostituisce 56156948N
58056942	58056942N	1	SPRING	
59056822	59056822N	1	COLUMN	
59057010	59057010N	1	LEVER	
59057011	59057011N	1	CONNECTION	
590C0125	590C0125N	1	PIANTONE POWERSAFE 750 C.TO	



300 serie PS
PowerSafe®

HANDLEBAR
MANILLAR

MANUBRIO
(340-346-360 ★)

MANCHERON
LINCHER

DALLA MACCHINA
DE LA MAQUINA
DE LA MACHINA
FROM THE MACHINE
AB DER MASCHINE

★ N.

AGGIORNAMENTO
APLAZAMIENTO
MISE A JOUR
REVISION
ANPASSUNG

K03 1

11/2010

Rev.

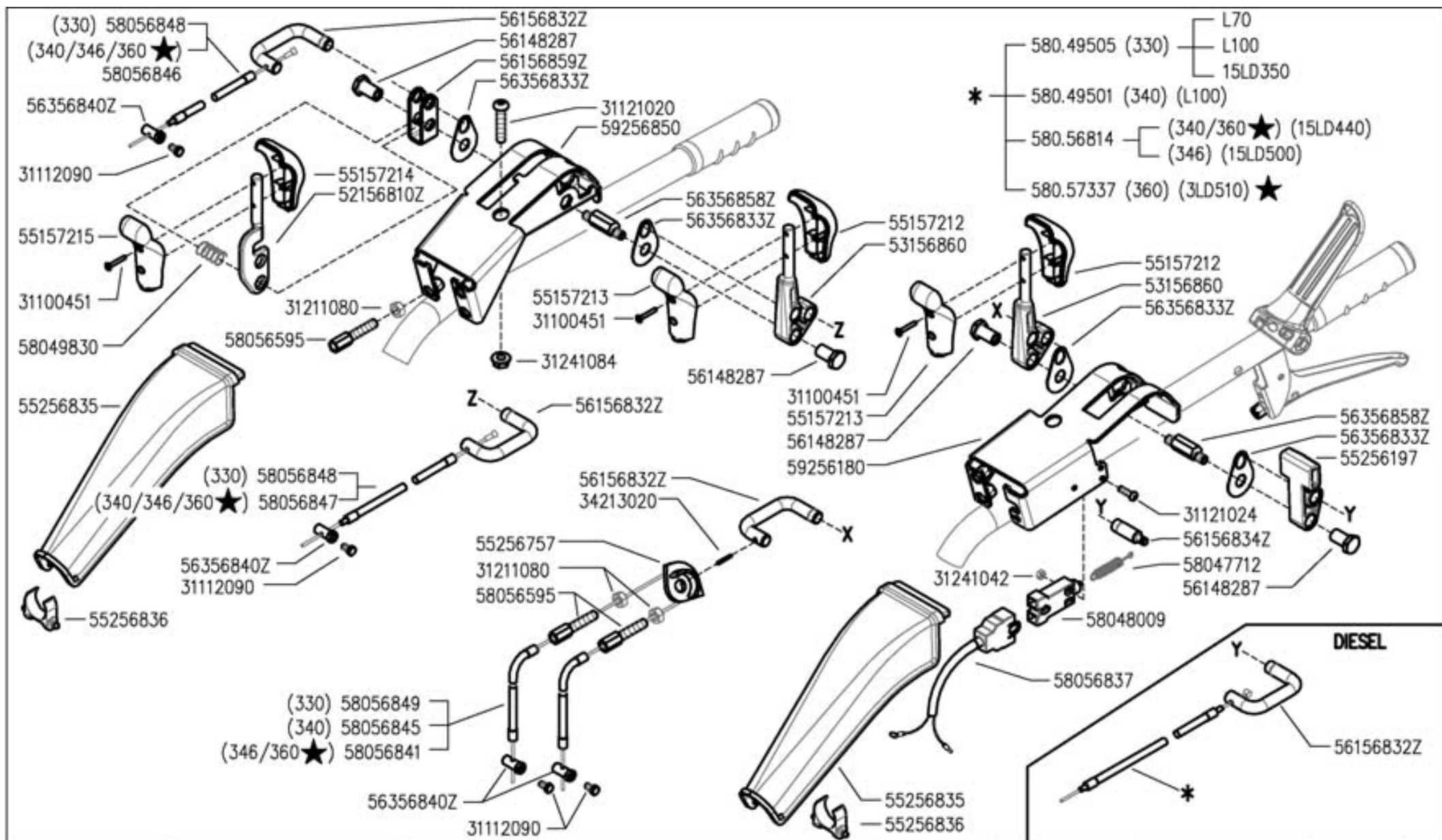
Pos.	Code	Q.ty	Description	Notes
31112089	31112089	1	SCREW TE M6X25 UNI 5739 8G	
31121020	31121020	1	SCREW TBCEI M8X40 ISO7380 10K Z	
31211080	31211080	1	NUT M8	
31241060	31241060	1	SELFLOCK NUT M6	
31241065	31241065	1	SELFLOCK NUT M6	
55256185	55256185	1	LEVER	
58002538	58002538	1	COMMAND LEVER	
58048000	58048000	1	KNOB	
58050345	58050345	1	SPRING	
58056155	58056155	1	RESTORING SPRING	Utilizzato con motore GX270
58056187	58056187	1	LINE	
58056188	58056188	1	LINE	
58056593	58056593	1	SPRING	
58056595	58056595	1	ADJUSTING SCREW	
58056811	58056811	1	LINE AND SHEATH	
58056812	58056812	1	LINE AND SHEATH	
58056816	58056816	1	LINE AND SHEATH	
58056838	58056838	1	LINE	
58056839	58056839	1	LINE	
58056842	58056842	1	LINE AND SHEATH	
58056844	58056844	1	LINE AND SHEATH	
58057369	58057369	1	TRANSMISSION	
58057422	58057422	1	TRASM.SBLOCC.PIANTONE MC740/08	
58147704	58147704	1	ADJUSTING SCREW	
58150313	58150313	1	CABLE CLAMP	
59256178	59256178	1	HANDLE BAR	
59257161	59257161	1	HANDLE BAR	
56148470	56148470N	1	LEVER	
56156603	56156603Z	1	SPACER	
56156874	56156874N	1	PANEL	
56356184	56356184Z	1	LEVER PIN	
58056186	58056186Z	1	SPRING	

SERIAL

HANDLEBAR (340_346_360)

CODE REV

K03_1_77574



FERRARI

300 serie PS
PowerSafe®

HANDLEBAR CONTROLS

CONTROLES EN EL MANILLAR

COMANDI SUL MANUBRIO

(330-340-346-360) ★

CONTROLES SUR LE MANCHERON

KONTROLLEN AM LINCHER

DALLA MACCHINA
DE LA MAQUINA
DE LA MACHINA
FROM THE MACHINE
AB DER MASCHINE

★ N.

AGGIORNAMENTO

APLAZAMIENTO

MISE A JOUR

REVISION

ANPASSUNG

L03

11/2010

Rev.

1

DITE.BCS - Scat. 1/2

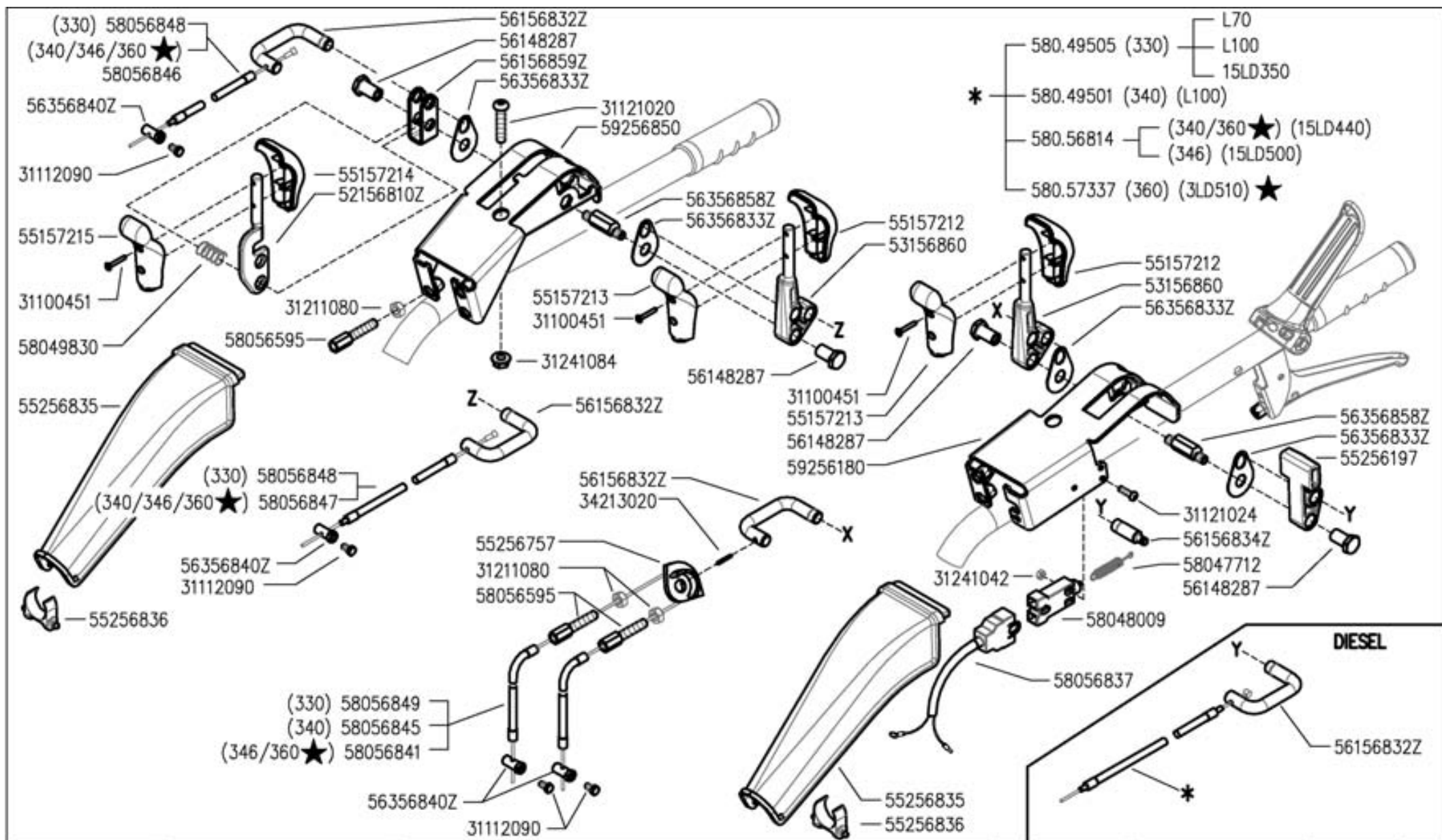
Pos.	Code	Q.ty	Description	Notes
31100451	31100451	1	SCREW 3,5X25	
31112090	31112090	1	SCREW TE M6X16 UNI 5739 8G	
31121020	31121020	1	SCREW TBCEI M8X40 ISO7380 10K Z	
31121024	31121024	1	SCREW TBCEI FL.M4X25	
31211080	31211080	1	NUT M8	
31241042	31241042	1	SELFLOCK NUT M4 FL.6S	
31241084	31241084	1	SELFLOCK NUT M8 6S	
34213020	34213020	1	ROLL PIN	
53156860	53156860	1	COMMAND LEVER	
55157212	55157212	1	GRIP	
55157213	55157213	1	GRIP	
55157214	55157214	1	GRIP	
55157215	55157215	1	GRIP	
55256197	55256197	1	LEVER	
55256757	55256757	1	PULLEY	
55256835	55256835	1	PROTECTION COVER	
55256836	55256836	1	CROSS MEMBER	
56148287	56148287	1	STUD BOLT	
58047712	58047712	1	SPRING	
58048009	58048009	1	SWITCH	
58049501	58049501	1	LINE AND SHEATH	
58049505	58049505	1	LINE AND SHEATH	
58049830	58049830	1	SPRING	
58056595	58056595	1	ADJUSTING SCREW	
58056814	58056814	1	LINE AND SHEATH	
58056837	58056837	1	WIRING	
58056841	58056841	1	LINE AND SHEATH	
58056845	58056845	1	LINE AND SHEATH	
58056846	58056846	1	LINE AND SHEATH	
58056847	58056847	1	LINE AND SHEATH	
58056848	58056848	1	LINE AND SHEATH	
58056849	58056849	1	LINE AND SHEATH	
58057337	58057337	1	LINE AND SHEATH	
59256180	59256180	1	SUPPORT	

SERIAL

HANDLEBAR CONTROLS

CODE REV

L03_1_77607



300 serie PS
PowerSafe®

HANDLEBAR CONTROLS
CONTROLES EN EL MANILLAR

COMANDI SUL MANUBRIO
(330-340-346-360) ★

CONTROLES SUR LE MANCHERON
KONTROLLEN AM LINCHER

DALLA MACCHINA
DE LA MAQUINA
DE LA MACHINA
FROM THE MACHINE
AB DER MASCHINE

★ N.

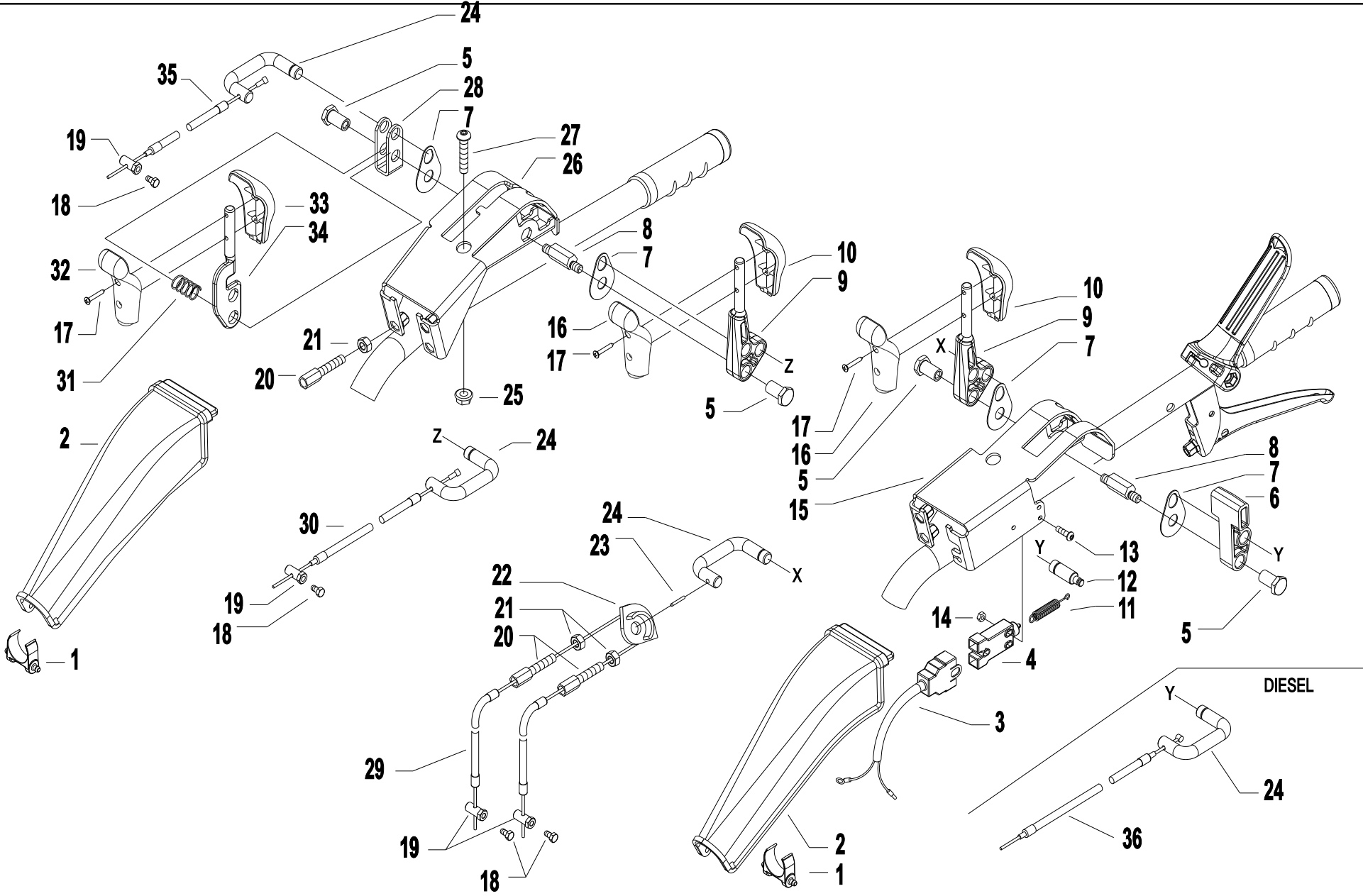
AGGIORNAMENTO
APLAZAMIENTO
MISE A JOUR
REVISION
ANPASSUNG

L03 1

11/2010

Pos.	Code	Q.ty	Description	Notes
59256850	59256850	1	SUPPORT	
52156810	52156810Z	1	COMMAND LEVER	
56156832	56156832Z	1	U BOLT	
56156834	56156834Z	1	INDEXING BOLT	
56156859	56156859Z	1	FORK	
56356833	56356833Z	1	SMALL PLATE	
56356840	56356840Z	1	CLAMPING SCREW	
56356858	56356858Z	1	PIN	

HANDLEBAR CONTROLS



Pos.	Code	Q.ty	Description	Notes
1	55256836	1	CROSS MEMBER	
2	55256835	1	PROTECTION COVER	
3	58056837	1	WIRING	
4	58048009	1	SWITCH	
5	56148287	1	STUD BOLT	
6	55256197	1	LEVER	
7	56356833Z	1	SMALL PLATE	
8	56356858Z	1	PIN	
9	53156860	1	COMMAND LEVER	
10	55157212	1	GRIP	
11	58047712	1	SPRING	
12	56156834Z	1	INDEXING BOLT	
13	31121024	1	SCREW TBCEI FL.M4X25	
14	31241042	1	SELFLOCK NUT M4 FL.6S	
15	59256180	1	SUPPORT	
16	55157213	1	GRIP	
17	31100451	1	SCREW 3,5X25	
18	31112090	1	SCREW TE M6X16 UNI 5739 8G	
19	56356840Z	1	CLAMPING SCREW	
20	58056595	1	ADJUSTING SCREW	
21	31211080	1	NUT M8	
22	55256757	1	PULLEY	
23	34213020	1	ROLL PIN	
24	56156832Z	1	U BOLT	
25	31241084	1	SELFLOCK NUT M8 6S	
26	59256850	1	SUPPORT	
27	31121020	1	SCREW TBCEI M8X40 ISO7380 10K Z	
28	56156859Z	1	FORK	
29	58056841	1	LINE AND SHEATH	For models 346/360 PS Series
29	58056845	1	LINE AND SHEATH	For the 340 model series PS
29	58056849	1	LINE AND SHEATH	For models 330/338 PS Series
30	58056847	1	LINE AND SHEATH	For models 340/346/360 PS Series
30	58056848	1	LINE AND SHEATH	For models 330/338 PS Series
31	58049830	1	SPRING	

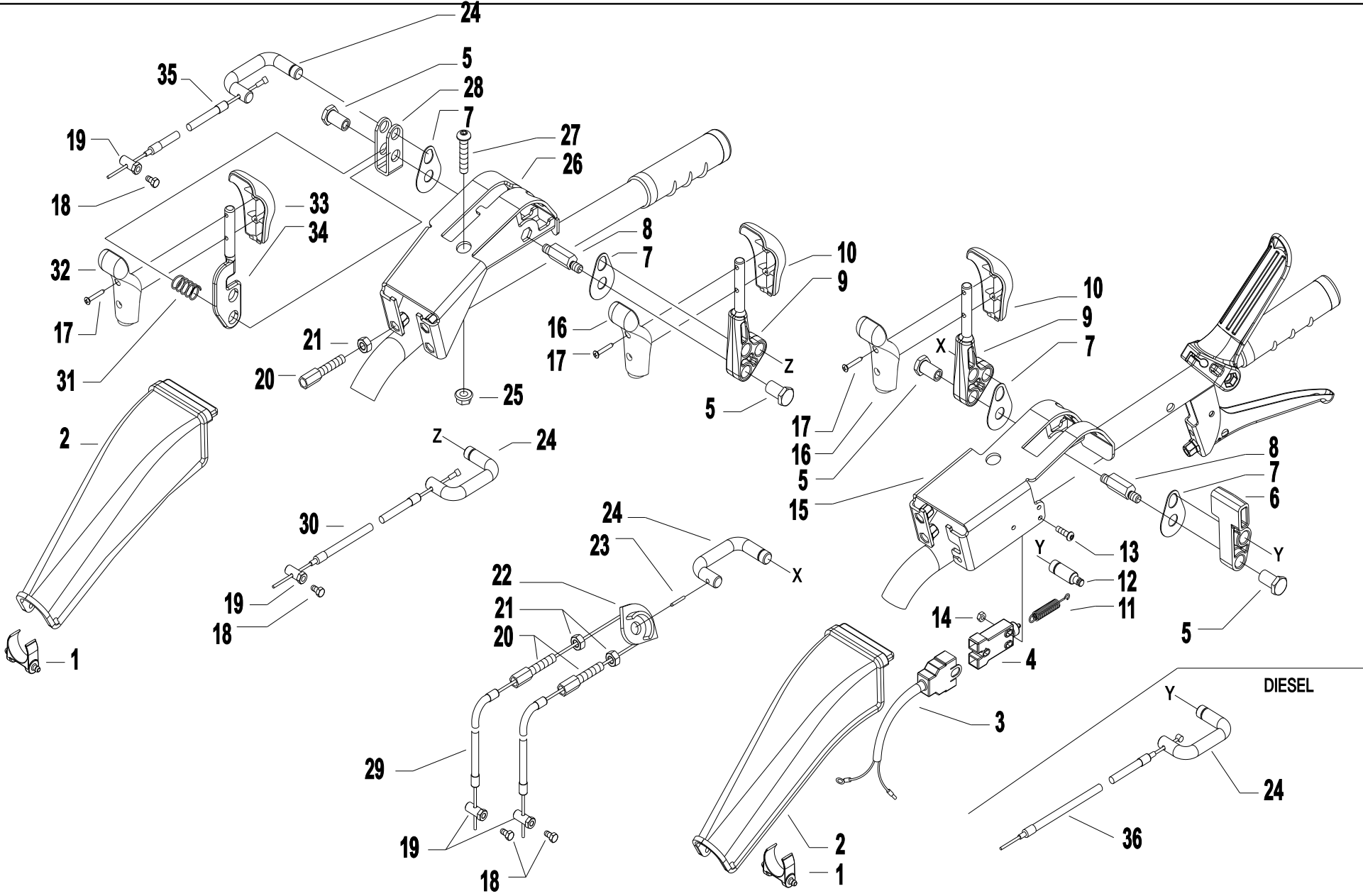
SERIAL

HANDLEBAR CONTROLS

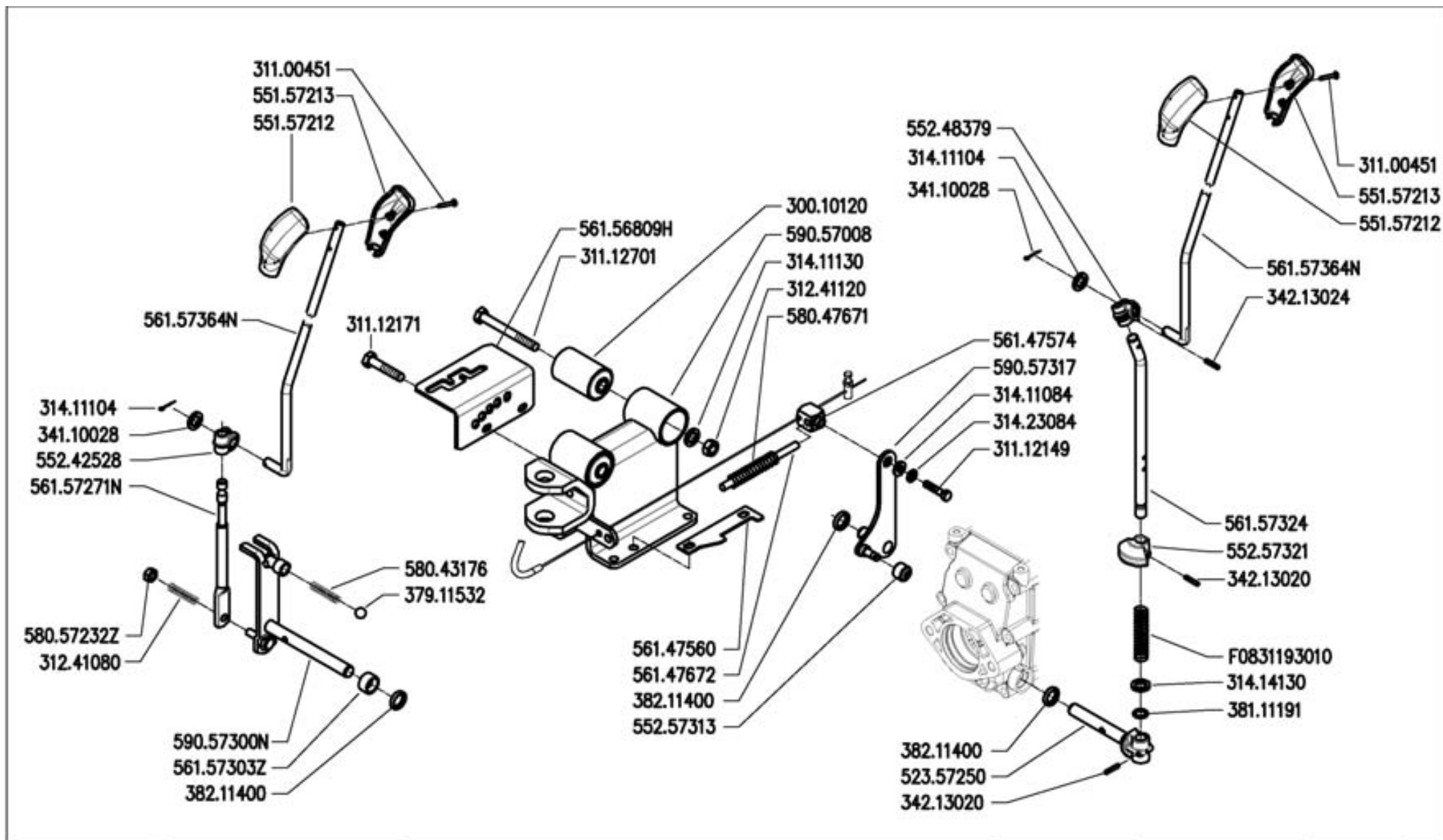
CODE REV

L.03.01.A0003_02

HANDLEBAR CONTROLS



Pos.	Code	Q.ty	Description	Notes
32	55157215	1	GRIP	
33	55157214	1	GRIP	
34	52156810Z	1	COMMAND LEVER	
35	58056846	1	LINE AND SHEATH	For models 340/346/360 PS Series
35	58056848	1	LINE AND SHEATH	For models 330/338 PS Series
36	58057337	1	LINE AND SHEATH	For Model 360 series PS engine 3LD510
36	58056814	1	LINE AND SHEATH	For models 340/360 series PS engine 15LD440. For model
36	58049501	1	LINE AND SHEATH	For model series 340 PS engine with L100
36	58049505	1	LINE AND SHEATH	For models 330/338 series engines with PS L70/L100/15LD350



FERRARI

300 serie PS
PowerSafe®

CONTROLS
MANDOS

COMANDI
(340-346-360★)

COMMANDES
ANTRIEBE

DALLA MACCHINA
DE LA MAQUINA
DE LA MAQUINA
FROM THE MACHINE
AB DER MASCHINE

★ N.

AGGIORNAMENTO
APLAZAMIENTO
MISE A JOUR
REVISION
ANPASSUNG

M03 1

11/2010

Rev.

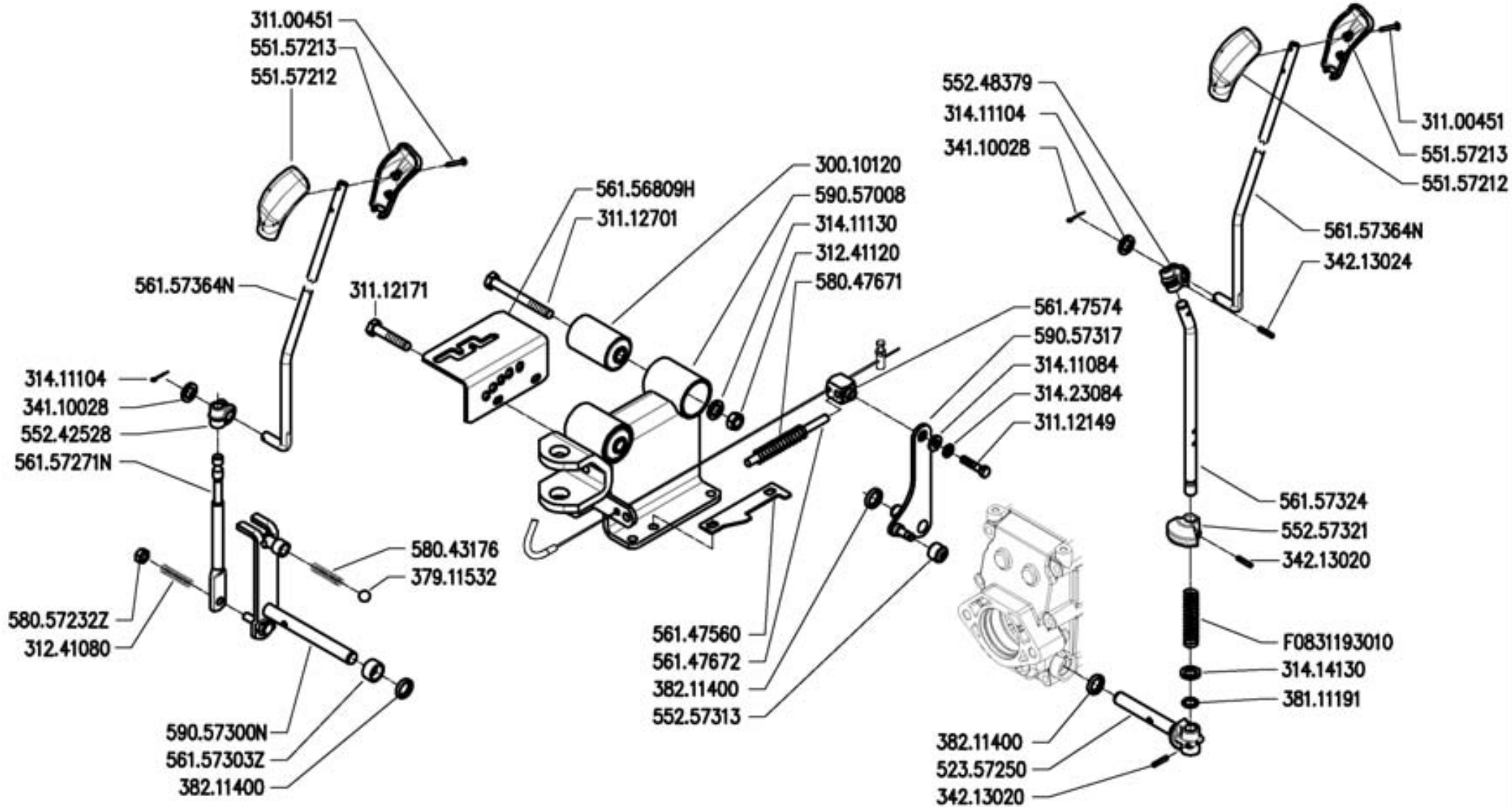
Pos.	Code	Q.ty	Description	Notes
30010120	30010120	1	SILENT-BLOCK 12X40X58X66	
31100451	31100451	1	SCREW 3,5X25	
31112149	31112149	1	SCREW TE M8X12 UNI 5739 8G	
31112171	31112171	1	SCREW TE C/F M8X16 DIN 6921	
31112701	31112701	1	SCREW TE M12X100 UNI 5737	
31241080	31241080	1	SELFLOCK NUT M8	
31241120	31241120	1	SELFLOCK NUT M12	
31411084	31411084	1	WASHER 8,4x17	
31411104	31411104	1	WASHER 10,5x18	
31411130	31411130	1	WASHER 13x24	
31414130	31414130	1	WASHER 13	
31423084	31423084	1	SPRING WASHER 8,4	
34110028	34110028	1	SPLIT PIN	
34213020	34213020	1	ROLL PIN	
34213024	34213024	1	ROLL PIN	
37911532	37911532	1	BALL 15/32	
38111191	38111191	1	O-RING 115 (11,91X2,62)	
38211400	38211400	1	OIL SEAL 14X22X4	
52357250	52357250	1	PIN	
55157212	55157212	1	GRIP	
55157213	55157213	1	GRIP	
55242528	55242528	1	JOINT	
55248379	55248379	1	JOINT	
55257313	55257313	1	ROLLER	
55257321	55257321	1	STOP	
56147560	56147560	1	STOP	
56147574	56147574	1	SMALL BLOCK	
56147672	56147672	1	GUIDE PIN	
56157324	56157324	1	PTO LEVER	
58043176	58043176	1	SPRING	
58047671	58047671	1	SPRING	
59057008	59057008	1	SUPPORT	
59057317	59057317	1	LEVER	
56156809	56156809H	1	GEAR SELECTOR	

SERIAL

CONTROLS (340_346_360)

CODE REV

M03_1_77650



FERRARI

300 serie PS
PowerSafe®

CONTROLS
MANDOS

COMANDI
(340-346-360★)

COMMANDES
ANTRIEBE

DALLA MACCHINA
DE LA MAQUINA
DE LA MAQUINA
FROM THE MACHINE
AB DER MASCHINE

★ N.

AGGIORNAMENTO
APLAZAMIENTO
MISE A JOUR
REVISION
ANPASSUNG

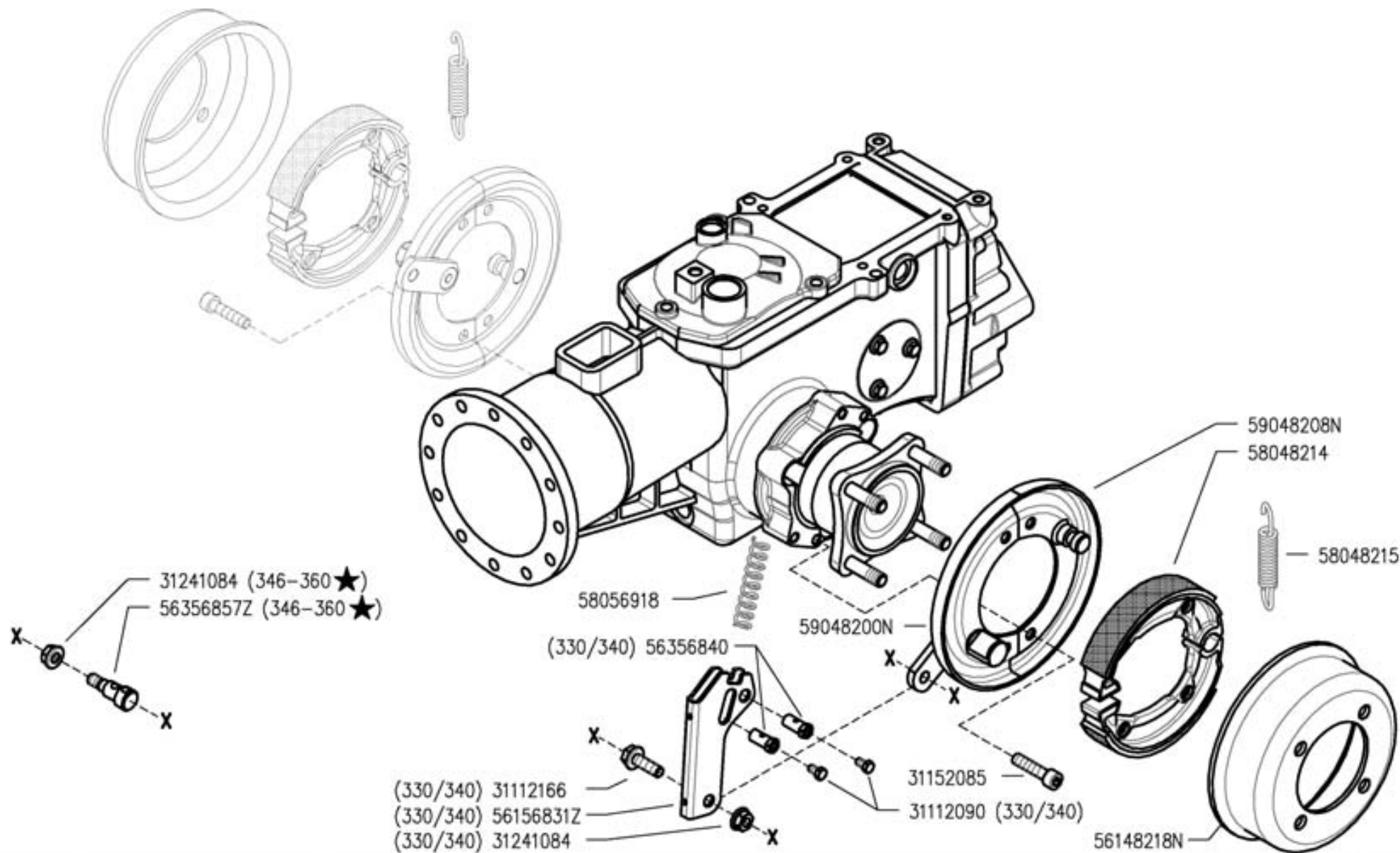
M03 1

11/2010

Rev.

DATE: BCS - Scala 1:6

Pos.	Code	Q.ty	Description	Notes
56157271	56157271N	1	COMMAND LEVER	
56157303	56157303Z	1	SPACER	
56157364	56157364N	1	PULL ROD	
58057232	58057232Z	1	SPRING	
59057300	59057300N	1	GEAR LEVER	
F0831193	F0831193010	1	SPRING DM.15X70	



FERRARI

300 serie PS
PowerSafe®

BRAKES
FRENOS

FRENI
(330-340-346-360 ★)

FREINS
BREMSEN

DALLA MACCHINA
DE LA MACCHINA
DE LA MACCHINA
FROM THE MACHINE
AB DER MASCHINE

★ N.

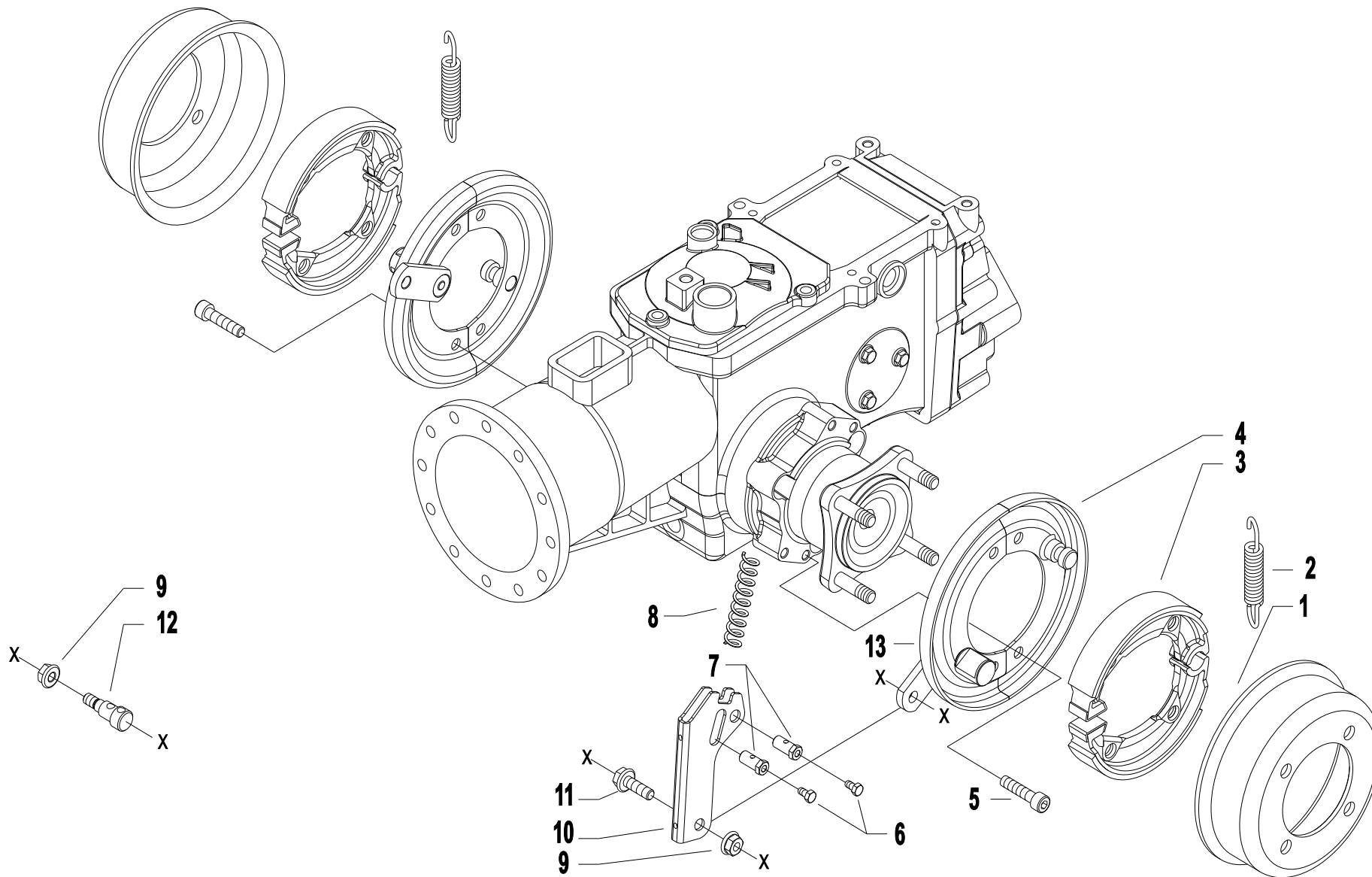
AGGIORNAMENTO
APLAZAMIENTO
MISE A JOUR
REVISION
ANPASSUNG

N02 1

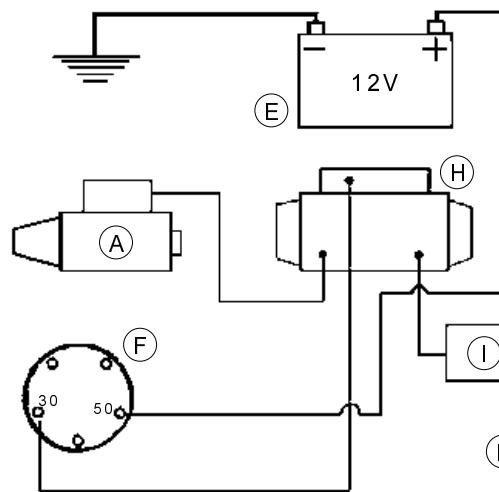
11/2010

Rev.

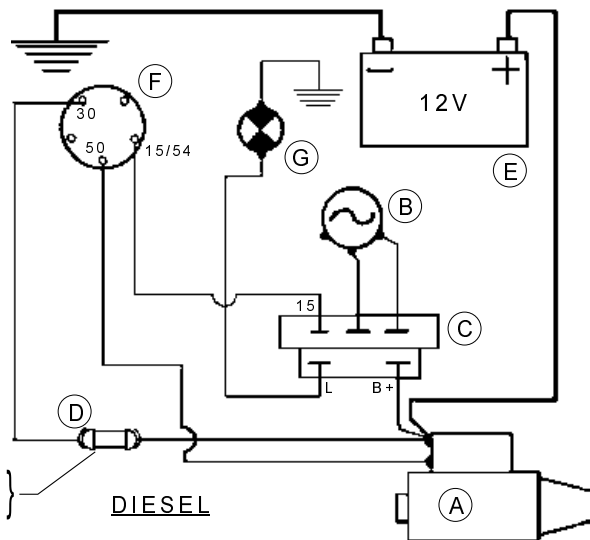
Pos.	Code	Q.ty	Description	Notes
31112090	31112090	1	SCREW TE M6X16 UNI 5739 8G	
31112166	31112166	1	SCREW TE C/F M8X25 DIN 6921 8G	
31152085	31152085	1	SCREW TCEI M8X25 UNI 5931	
31241084	31241084	1	SELFLOCK NUT M8 6S	
56356840	56356840	1	CLAMPING SCREW	
58048214	58048214	1	BRAKE BLOCK	
58048215	58048215	1	SPRING	
58056918	58056918	1	SPRING	
56148218	56148218N	1	BRAKE DRUM	
56156831	56156831Z	1	FORK	
56356857	56356857Z	1	STOP	
59048200	59048200N	1	HALF DISC	
59048208	59048208N	1	HALF DISC	



Pos.	Code	Q.ty	Description	Notes
1	56148218N	1	BRAKE DRUM	
2	58048215	1	SPRING	
3	58048214	1	BRAKE BLOCK	
4	59048208N	1	HALF DISC	
5	31152085	1	SCREW TCEI M8X25 UNI 5931	
6	31112090	1	SCREW TE M6X16 UNI 5739 8G	Used in the models 330/338/340 PS Series
7	56356840	1	CLAMPING SCREW	Used in the models 330/338/340 PS Series
8	58056918	1	SPRING	
9	31241084	1	SELFLOCK NUT M8 6S	
10	56156831Z	1	FORK	Used in the models 330/338/340 PS Series
11	31112166	1	SCREW TE C/F M8X25 DIN 6921 8G	Utilisées dans les modèles 330/338/340 PS Series
12	56356857Z	1	STOP	Used in the models 346/360 PS Series
13	59048200N	1	HALF DISC	

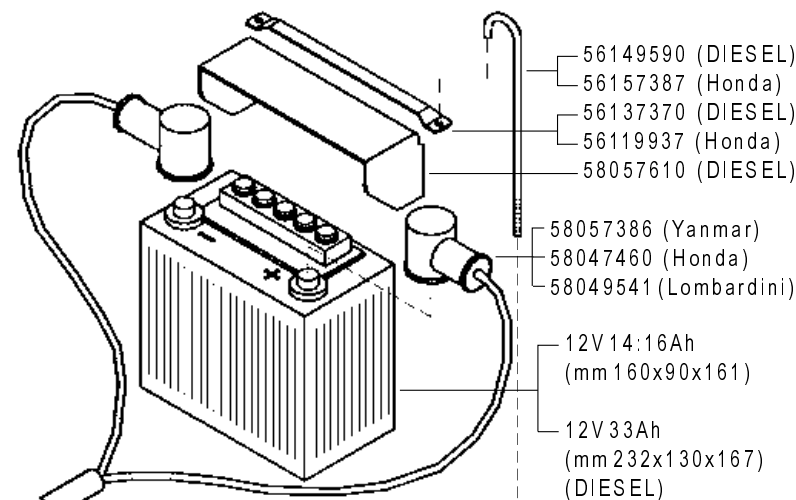


HONDA



(Yanmar) 15A
(Lombardini) 25A

DIESEL



56149590 (DIESEL)
56157387 (Honda)
56137370 (DIESEL)
56119937 (Honda)
58057610 (DIESEL)

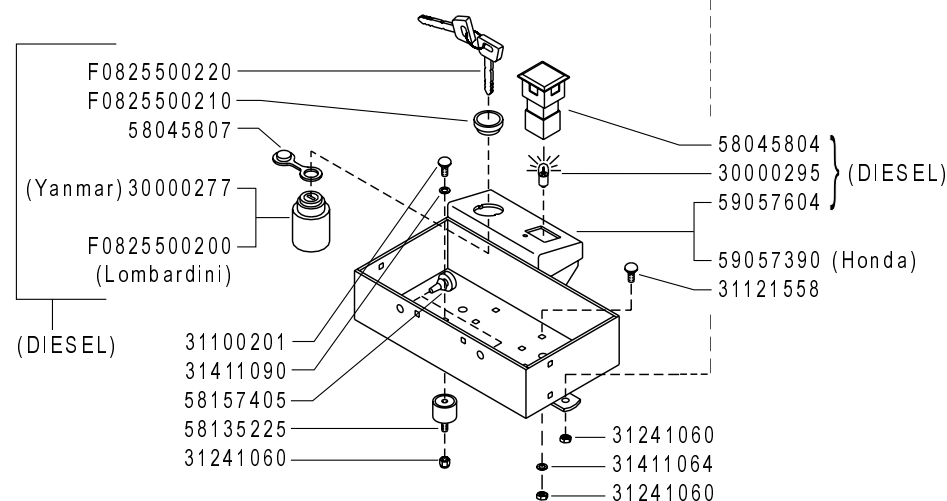
58057386 (Yanmar)
58047460 (Honda)
58049541 (Lombardini)

12V 14:16Ah
(mm 160x90x161)

12V 33Ah
(mm 232x130x167)
(DIESEL)

A	B	C	D
MOTORINO D'AVVIAMENTO STARTER DÉMARREUR MOT. DE ARRANQUE ANLASSMOTOR	GENERATORE GENERATOR GÉNÉRATEUR GENERADOR GENERATOR	REGOLATORE REGULATOR RÉGULATEUR REGULADOR REGLER	FUSIBILI FUSES FUSIBLES FUSIBLES SCHMELZSICHERUNGEN

E	F	G	H	I
BATTERIA BATTERY BATTERIE BATERIA BATERIE	INTERRUTTORE SWITCH INTERRUPTEUR INTERRUPTOR SCHALTER	SPIA CARICA BATTERIA BATTERY LONG WARN. LIGHT TEMOIN CHARG. BATTERIE LUZ CARGA BATERIA BATTERIELADUNG KTRL. LAMPE	SOLENOIDE SOLENOID SOLÉNOÏDE SOLENOIDE SOLENOID	DIODO DIODE DIODE DIODE DIODE



F0825500220
F0825500210
58045807
(Yanmar) 30000277
F0825500200
(Lombardini)

(DIESEL)

58045804
30000295
59057604
59057390 (Honda)
31121558

31100201
31411090
58157405
58135225
31241060
31241060
31411064
31241060

FERRARI

300 serie PS
PowerSafe®

AVVIAMENTO ELETTRICO

ELECTRIC STARTER
ARRANQUE ELECTRICO

DÉMARRAGE ELECTRIQUE
ELEKTROSTART

DALLA MACCHINA
FROM THE MACHINE
DE LA MACHINE
DE LA MAQUINA
AB DER MASCHINE

N.

Q01 0

05/2009

Rev.

ZENNE

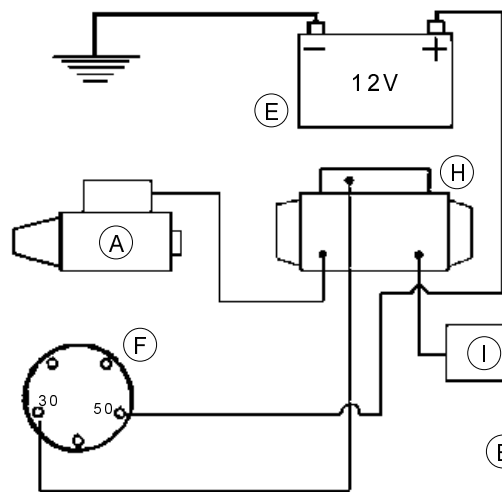
Pos.	Code	Q.ty	Description	Notes
30000277	30000277	1	SWITCH	
30000295	30000295	1	LAMP	
31100201	31100201	1	SCREW TTQ M6X12 UNI 5731	
31121558	31121558	0	SCREW TTQ M6X16 UNI 5731	
31241060	31241060	1	SELFLOCK NUT M6	
31411064	31411064	1	WASHER 6,4x12,5	
31411090	31411090	1	WASHER 9x24	
56119937	56119937	1	BATTERY SUPPORT	
56137370	56137370	1	BATTERY BRACKET	
56149590	56149590	1	BATTERY BRACKET	
56157387	56157387	1	ROD	
58045804	58045804	1	WARNING LIGHT	
58045807	58045807	1	LOCK COVER	
58047460	58047460	1	WIRING	
58049541	58049541	1	WIRING	
58057386	58057386	1	WIRING	
58057610	58057610	1	BOX	
58135225	58135225	0	VIBRATION-DAMPING	
58157405	58157405	1	PLUG	
59057390	59057390	1	BOX	
59057604	59057604	1	BOX	
F0825500	F0825500200	1	CHANGE-OVER SWITCH	
F0825500	F0825500210	1	RING NUT	
F0825500	F0825500220	1	KEY	

SERIAL

ELECTRIC STARTER

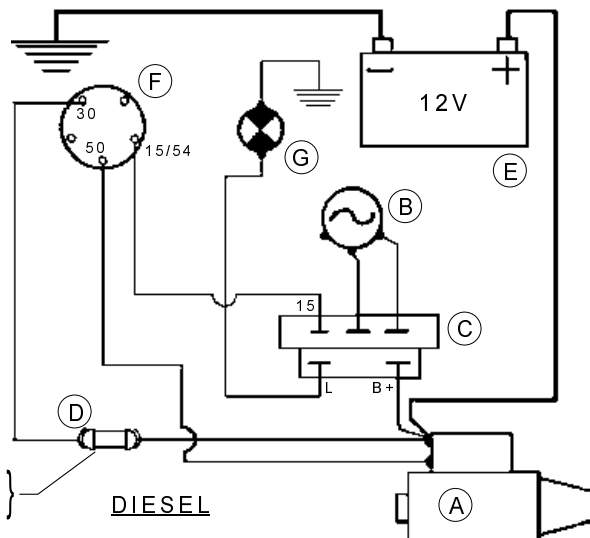
CODE REV

Q01_0_67569

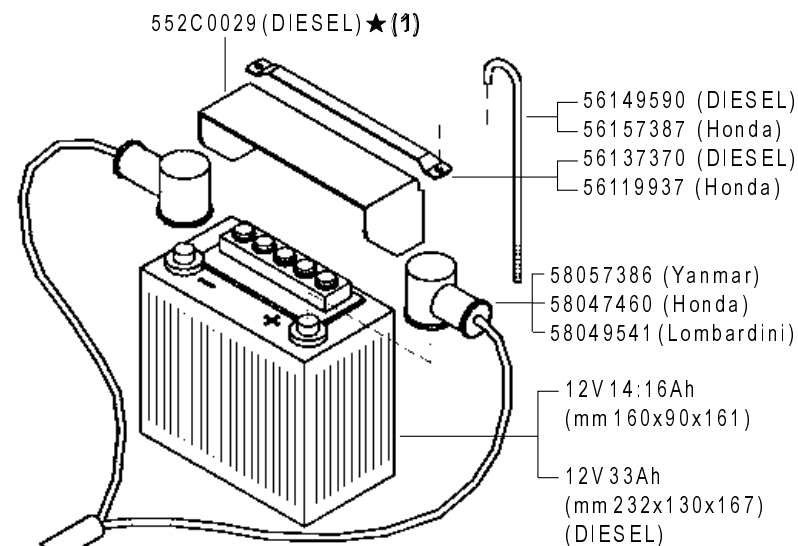


HONDA

(Yanmar) 15A
(Lombardini) 25A



DIESEL



552C0029 (DIESEL) ★(1)

56149590 (DIESEL)
56157387 (Honda)
56137370 (DIESEL)
56119937 (Honda)

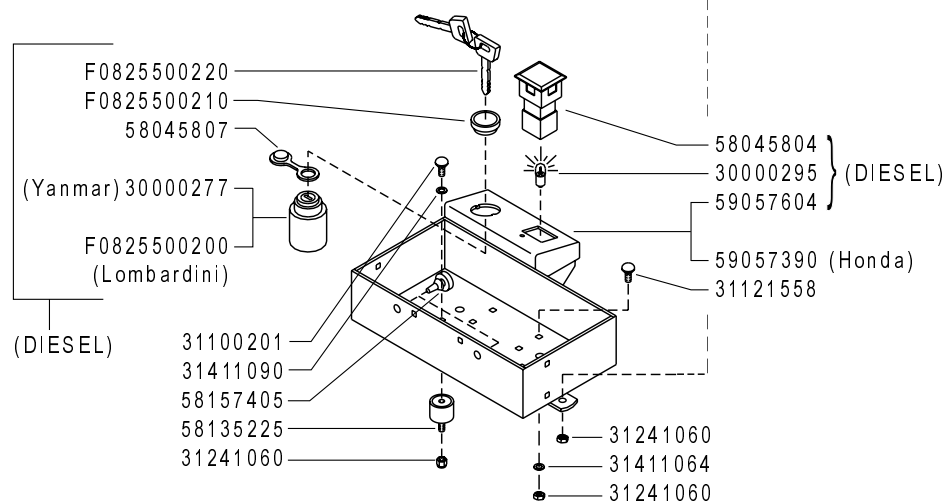
58057386 (Yanmar)
58047460 (Honda)
58049541 (Lombardini)

12V 14:16Ah
(mm 160x90x161)

12V 33Ah
(mm 232x130x167)
(DIESEL)

A	B	C	D
MOTORINO D'AVVIAMENTO STARTER DÉMARREUR MOT. DE ARRANQUE ANLASSMOTOR	GENERATORE GENERATOR GÉNÉRATEUR GENERADOR GENERATOR	REGOLATORE REGULATOR RÉGULATEUR REGULADOR REGLER	FUSIBILI FUSES FUSIBLES FUSIBLES SCHMELZSICHERUNGEN

E	F	G	H	I
BATTERIA BATTERY BATTERIE BATERIA BATERIE	INTERRUTTORE SWITCH INTERRUPTEUR INTERRUPTOR SCHALTER	SPIA CARICA BATTERIA BATTERY LONG WARN. LIGHT TEMOIN CHARG. BATTERIE LUZ CARGA BATERIA BATTERIE LADUNG KTRL. LAMPE	SOLENOIDE SOLENOID SOLÉNOÏDE SOLENOIDE SOLENOID	DIODO DIODE DIODE DIODE DIODE



F0825500220
F0825500210
58045807

(Yanmar) 30000277

F0825500200
(Lombardini)

(DIESEL)

58045804
30000295
59057604 } (DIESEL)

59057390 (Honda)
31121558

31100201
31411090
58157405
58135225
31241060

31241060
31411064
31241060

(1) sostituisce 58057610

FERRARI

300 serie PS
PowerSafe®

AVVIAMENTO ELETTRICO

ELECTRIC STARTER
ARRANQUE ELECTRICO

DÉMARRAGE ELECTRIQUE
ELEKTROSTART

DALLA MACCHINA
FROM THE MACHINE
DE LA MACHINE
DE LA MAQUINA
AB DER MASCHINE

★ N.

884219

Q01 1

05/2011

Rev.

ZENNE

Pos.	Code	Q.ty	Description	Notes
30000277	30000277	1	SWITCH	
30000295	30000295	1	LAMP	
31100201	31100201	1	SCREW TTQ M6X12 UNI 5731	
31121558	31121558	0	SCREW TTQ M6X16 UNI 5731	
31241060	31241060	1	SELFLOCK NUT M6	
31411064	31411064	1	WASHER 6,4x12,5	
31411090	31411090	1	WASHER 9x24	
552C0029	552C0029	1	COPERCHIO BATTERIA 750	
56119937	56119937	1	BATTERY SUPPORT	
56137370	56137370	1	BATTERY BRACKET	
56149590	56149590	1	BATTERY BRACKET	
56157387	56157387	1	ROD	
58045804	58045804	1	WARNING LIGHT	
58045807	58045807	1	LOCK COVER	
58047460	58047460	1	WIRING	
58049541	58049541	1	WIRING	
58057386	58057386	1	WIRING	
58135225	58135225	0	VIBRATION-DAMPING	
58157405	58157405	1	PLUG	
59057390	59057390	1	BOX	
59057604	59057604	1	BOX	
F0825500	F0825500200	1	CHANGE-OVER SWITCH	
F0825500	F0825500210	1	RING NUT	
F0825500	F0825500220	1	KEY	



58056864



58056866



58057746



58057451



58057676



58057724



58056867



58056868



58057450



58057748



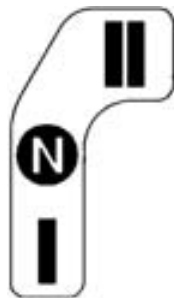
58057677



58057767



58056869



58057732



58057747



58057625



58093089



58057768

FERRARI

300 serie **PS**
PowerSafe ®

STICKERS
ADHESIVOS

ADESIVE

AUTOCOLLANTS
AUFKLEBES

DALLA MACCHINA
FROM THE MACHINE
DE LA MACHINE
DE LA MAQUINA
AB DER MASCHINE

N.

R01 0

05/2009

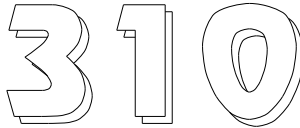
Rev.

ZENNE

Pos.	Code	Q.ty	Description	Notes
58056864	58056864	1	DECAL	
58056866	58056866	1	DECAL	
58056867	58056867	1	DECAL	
58056868	58056868	1	DECAL	
58056869	58056869	1	DECAL	
58057450	58057450	1	DECAL	
58057451	58057451	1	DECAL	
58057625	58057625	1	DECAL	
58057676	58057676	1	DECAL	
58057677	58057677	1	DECAL	
58057724	58057724	1	DECAL	
58057732	58057732	1	DECAL	
58057746	58057746	1	DECAL	
58057747	58057747	1	DECAL	
58057748	58057748	1	DECAL	
58057767	58057767	1	DECAL	
58057768	58057768	1	DECAL	
58093089	58093089	1	DECAL	

PowerSafe ®

1



6



7

EasyDrive ®

2



8



9



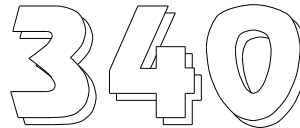
3



4



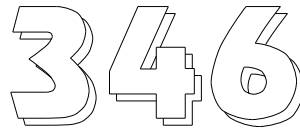
10



11



5

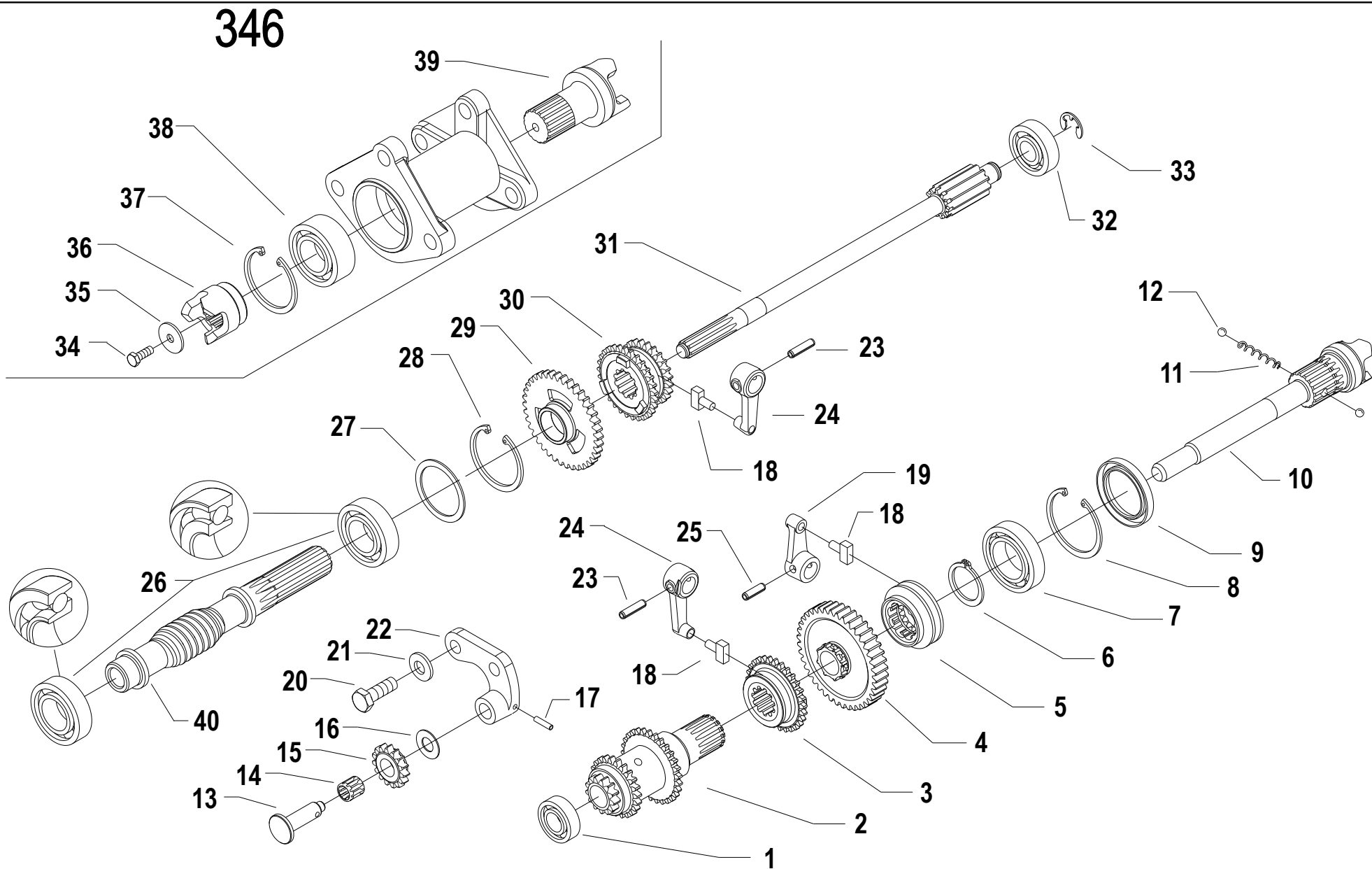


12



13

Pos.	Code	Q.ty	Description	Notes
1	53057666	1	MARCHIO POWERSAFE	
2	53057670	1	DECAL	
3	53052175	1	MEDIUM FERRARI BRAND	
4	530C0056	1	DECAL	
5	53052176	1	BIG FERRARI BRAND	
6	58052178	1	DECAL	
7	58052179	1	DECAL	
8	58052193	1	DECAL	
9	58052180	1	DECAL	
10	58052192	1	DECAL	
11	58052181	1	DECAL	
12	58052182	1	DECAL	
13	58052191	1	DECAL	



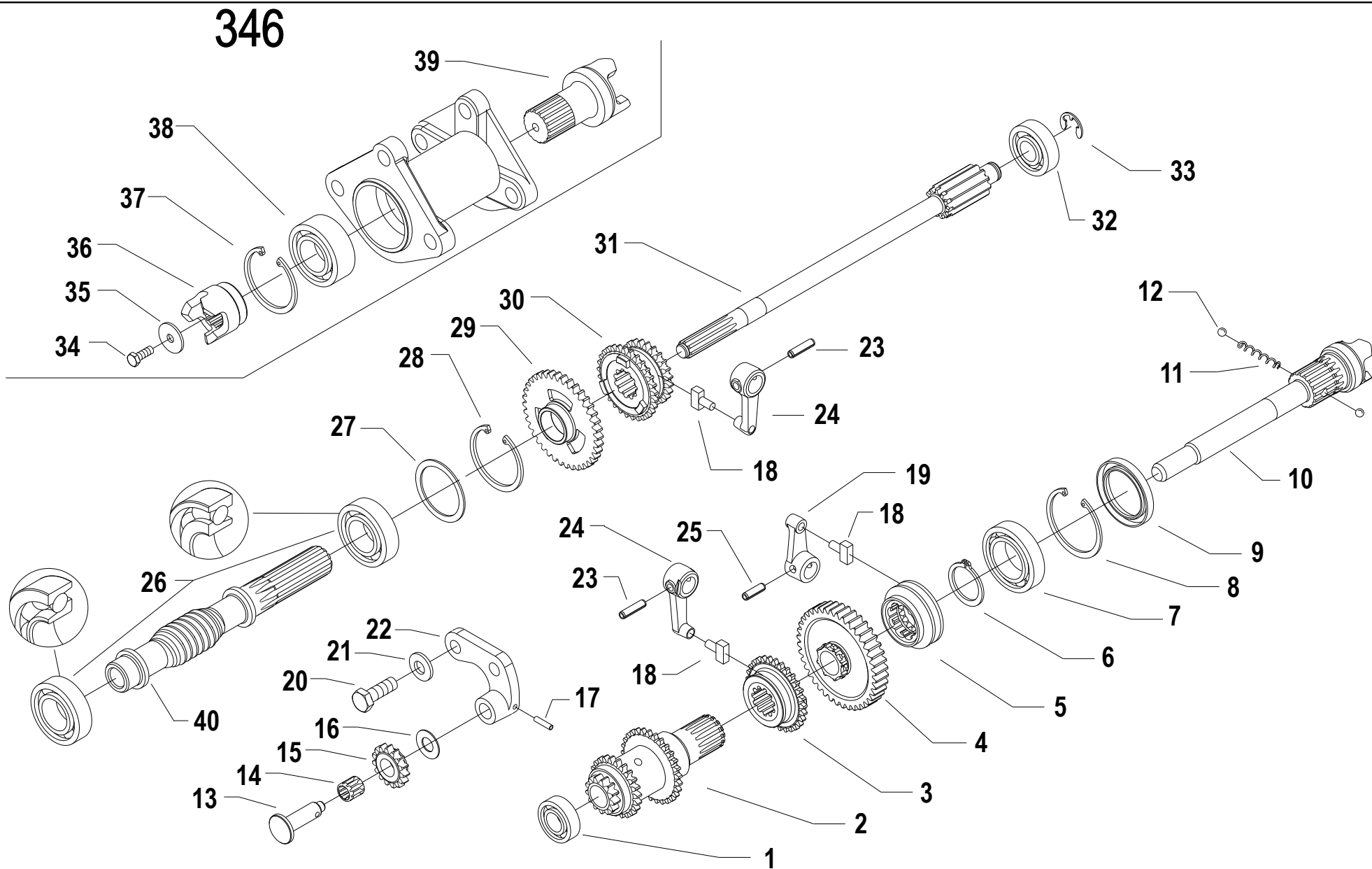
Pos.	Code	Q.ty	Description	Notes
1	37111150		BEARING	
2	59056383		TRIPLE GEAR	
3	52456370		SLIDER	
4	59056707		PTO GEAR	Replaces 59056365 + 52456362 from serial 863327 for 340-346
5	52456706		PTO COUPLING	
6	35121031		SEEGER RING E 30 UNI 7436	
7	37112229		BEARING	
8	35111055		SEEGER RING I 55 DIN 472	
9	38213800		OIL SEAL 38X55X7	
10	52456336		PTO SHAFT	
10	52456705		PTO SHAFT	For Model 360
11	58056391		SPRING	
12	37910832		BALL 1/4	
13	56456736		PERNO INGRANAGGIO OZIOSO	replaces 56456351
14	37320120		ROLLER CAGE 12X15/10	
15	56456347		GEAR	
16	56356348		ADJUSTING RING	
17	34211042		ROLL PIN	
18	58043086		SHOE	
19	52456390		LEVER	
20	31112211		SCREW TE M10X30 UNI 5739	
21	31421101		WASHER	
22	52456349		GEAR SUPPORT	
23	34213060		ROLL PIN	
24	52456389		LEVER	
25	34213061		ROLL PIN	
26	37141250		BEARING	
27	56356328		ADJUSTING RING SP=1,5	
27	56356329		ADJUSTING RING SP=1,6	
27	56356330		ADJUSTING RING SP=1,7	
27	56356331		ADJUSTING RING SP=1,8	
28	35111053		SEEGER RING I 52 UNI 7438	
29	52456354		GEAR	
30	52456360		SLIDER	

SERIAL

H03_02 - INGRANAGGI CAMBIO (340-346-360)

CODE REV

H.03.02.A0003_02



Pos.	Code	Q.ty	Description	Notes
31	52456340		SHAFT	
32	37111152		BEARING	
33	35211120		SEEGER RING E 12 UNI 7434	
34	31112090		SCREW TE M6X16 UNI 5739 8G	
35	56158943		WASHER 7,0x25/2	
36	56458942		COUPLING	
37	35111047		SEEGER RING I 47 DIN 472	
38	37112252		BEARING	
39	52457866		SHAFT	
40	56456476		SCREW	For Model 340
40	56456479		SCREW	For Model 346

SPARE PARTS INSTANCE INDEX





SPARE PARTS INSTANCE INDEX

Code	Parts Table	Pos.	Q.ty	Code	Parts Table	Pos.	Q.ty	Code	Parts Table	Pos.	Q.ty
30000001	G03_0_77436	30000001	1	31112090	N02_1_77691	31112090	1	31152060	B.01.01.A0001_03	24	1
30000197	B.01.01.A0001_03	9	1	31112099	D.01.01.A0001_02	2	1		B01_2_77329	31152060	1
30000277	Q01_0_67569	30000277	1		D01_1_77361	31112099	1	31152063	B.01.01.A0001_03	1	1
	Q01_1_81859	30000277	1	31112149	M03_1_77650	31112149	1		B01_2_77329	31152063	1
30000295	Q01_0_67569	30000295	1	31112154	A.02.01.A0003_02	1	1	31152085	N.02.01.A0003_02	5	1
	Q01_1_81859	30000295	1		A02_1_77305	31112154	1		N02_1_77691	31152085	1
30010120	M03_1_77650	30010120	1	31112165	J03_1_77552	31112165	1	31152090	E01_1_77371	31152090	1
31100015	F01_1_77388	31100015	1		J03_2_77555	31112165	1	31152150	G03_0_77436	31152150	1
31100023	E01_1_77371	31100023	1	31112166	G04_0_77461	31112166	1	31211080	K03_1_77574	31211080	1
31100029	E01_1_77371	31100029	1		I04_1_77517	31112166	1		L.03.01.A0003_02	21	1
31100031	E01_1_77371	31100031	1		N.02.01.A0003_02	11	1		L03_1_77607	31211080	1
31100201	Q01_0_67569	31100201	1		N02_1_77691	31112166	1	31211100	I04_1_77517	31211100	1
	Q01_1_81859	31100201	1	31112167	G04_0_77461	31112167	1	31241042	L.03.01.A0003_02	14	1
31100451	A.02.01.A0003_02	12	1	31112170	I04_1_77517	31112170	1		L03_1_77607	31241042	1
	A02_1_77305	31100451	1	31112171	A.02.01.A0003_02	3	1	31241060	A02_1_77305	31241060	1
	J03_1_77552	31100451	1		A02_1_77305	31112171	1		K03_1_77574	31241060	1
	J03_2_77555	31100451	1		M03_1_77650	31112171	1		Q01_0_67569	31241060	1
	L.03.01.A0003_02	17	1	31112172	G04_0_77461	31112172	1		Q01_1_81859	31241060	1
	L03_1_77607	31100451	1	31112210	A.02.01.A0003_02	19	1	31241065	K03_1_77574	31241065	1
	M03_1_77650	31100451	1		A02_1_77305	31112210	1	31241080	I04_1_77517	31241080	1
31104022	F01_1_77388	31104022	1	31112211	H.03.02.A0003_02	20			J03_1_77552	31241080	1
31111229	J03_1_77552	31111229	1		H03_1_77469	31112211	1		M03_1_77650	31241080	1
	J03_2_77555	31111229	1	31112293	J03_1_77552	31112293	1	31241083	F01_1_77388	31241083	1
31112083	G03_0_77436	31112083	1		J03_2_77555	31112293	1	31241084	A.02.01.A0003_02	2	1
31112084	B.01.01.A0001_03	16	1	31112701	M03_1_77650	31112701	1		A02_1_77305	31241084	1
	B01_2_77329	31112084	1	31121008	A.02.01.A0003_02	6	1		G03_0_77436	31241084	1
31112085	A.02.01.A0003_02	9	1		A02_1_77305	31121008	1		G04_0_77461	31241084	1
	A02_1_77305	31112085	1	31121020	K03_1_77574	31121020	1		I04_1_77517	31241084	1
31112089	K03_1_77574	31112089	1		L.03.01.A0003_02	27	1		J03_2_77555	31241084	1
31112090	H.03.02.A0003_02	34			L03_1_77607	31121020	1		L.03.01.A0003_02	25	1
	H03_1_77469	31112090	1	31121024	L.03.01.A0003_02	13	1		L03_1_77607	31241084	1
	L.03.01.A0003_02	18	1		L03_1_77607	31121024	1		N.02.01.A0003_02	9	1
	L03_1_77607	31112090	1	31121558	Q01_0_67569	31121558	0		N02_1_77691	31241084	1
	N.02.01.A0003_02	6	1		Q01_1_81859	31121558	0	31241100	J03_1_77552	31241100	1



SPARE PARTS INSTANCE INDEX

Code	Parts Table	Pos.	Q.ty	Code	Parts Table	Pos.	Q.ty	Code	Parts Table	Pos.	Q.ty
31241100	J03_2_77555	31241100	1	31480184	B01_2_77329	31480184	1	35211120	H.03.02.A0003_02	33	
31241120	M03_1_77650	31241120	1		G03_0_77436	31480184	1		H03_1_77469	35211120	1
31241124	G03_0_77436	31241124	1	31510099	A02_1_77305	31510099	1	37111150	H.03.02.A0003_02	1	
31241126	J03_1_77552	31241126	1	31510100	A.02.01.A0003_02	14	1		H03_1_77469	37111150	1
	J03_2_77555	31241126	1		A02_1_77305	31510100	1	37111152	H.03.02.A0003_02	32	
31312073	F01_1_77388	31312073	1	34110028	M03_1_77650	34110028	1		H03_1_77469	37111152	1
31312082	G03_0_77436	31312082	1	34211042	H.03.02.A0003_02	17		37111170	I04_1_77517	37111170	1
31312084	G03_0_77436	31312084	1		H03_1_77469	34211042	1	37111250	I04_1_77517	37111250	1
31312085	I04_1_77517	31312085	1	34211065	G03_0_77436	34211065	1	37112229	H.03.02.A0003_02	7	
31312089	I04_1_77517	31312089	1	34213020	L.03.01.A0003_02	23	1		H03_1_77469	37112229	1
31312094	G03_0_77436	31312094	1		L03_1_77607	34213020	1	37112252	H.03.02.A0003_02	38	
31312097	F01_1_77388	31312097	1		M03_1_77650	34213020	1		H03_1_77469	37112252	1
31312102	I04_1_77517	31312102	1	34213024	M03_1_77650	34213024	1	37112253	I04_1_77517	37112253	1
31312124	G03_0_77436	31312124	1	34213040	I04_1_77517	34213040	1	37141250	H.03.02.A0003_02	26	
31411064	Q01_0_67569	31411064	1	34213060	H.03.02.A0003_02	23			H03_1_77469	37141250	1
	Q01_1_81859	31411064	1		H03_1_77469	34213060	1	37141253	C.01.01.A0001_02	7	1
31411084	M03_1_77650	31411084	1	34213061	H.03.02.A0003_02	25			C01_1_72820	37141253	1
31411090	Q01_0_67569	31411090	1		H03_1_77469	34213061	1	37161500	C.01.01.A0001_02	3	1
	Q01_1_81859	31411090	1	34221040	B.01.01.A0001_03	5	1		C01_1_72820	37161500	1
31411104	M03_1_77650	31411104	1		B01_2_77329	34221040	1	37320120	H.03.02.A0003_02	14	
31411130	M03_1_77650	31411130	1	35111029	E01_1_77371	35111029	1		H03_1_77469	37320120	1
31414130	M03_1_77650	31414130	1	35111047	H.03.02.A0003_02	37		37910832	H.03.02.A0003_02	12	
31421083	E01_1_77371	31421083	1		H03_1_77469	35111047	1		H03_1_77469	37910832	1
31421100Z	J03_1_77552	31421100	1	35111053	H.03.02.A0003_02	28		37911532	M03_1_77650	37911532	1
	J03_2_77555	31421100	1		H03_1_77469	35111053	1	38110675	E01_1_77371	38110675	1
31421101	H.03.02.A0003_02	21		35111055	H.03.02.A0003_02	8		38110873	D.01.01.A0001_02	4	1
	H03_1_77469	31421101	1		H03_1_77469	35111055	1		D01_1_77361	38110873	1
31423084	F01_1_77388	31423084	1	35121031	H.03.02.A0003_02	6			F01_1_77388	38110873	1
	I04_1_77517	31423084	1		H03_1_77469	35121031	1	38111191	M03_1_77650	38111191	1
	M03_1_77650	31423084	1	35211050	B.01.01.A0001_03	17	1	38111400	I04_1_77517	38111400	1
31423105	A.02.01.A0003_02	20	1		B01_2_77329	35211050	1	38111872	E01_1_77371	38111872	1
	A02_1_77305	31423105	1	35211060	B.01.01.A0001_03	15	1	38118859	C.01.01.A0001_02	1	1
	I04_1_77517	31423105	1		B01_2_77329	35211060	1		C01_1_72820	38118859	1
31480184	B.01.01.A0001_03	10	1		I04_1_77517	35211060	1	38119823	F01_1_77388	38119823	1



SPARE PARTS INSTANCE INDEX

Code	Parts Table	Pos.	Q.ty	Code	Parts Table	Pos.	Q.ty	Code	Parts Table	Pos.	Q.ty
38120500	C.01.01.A0001_02	9	1	52456235	B01_2_77329	52456235	1	530C0056	R.02.01.A0003_02	4	1
	C01_1_72820	38120500	1	52456236	F01_1_77388	52456236	1	53143875V	G03_0_77436	53143875	1
38140850	C.01.01.A0001_02	11	1	52456237	F01_1_77388	52456237	1	53156202V	G03_0_77436	53156202	1
	C01_1_72820	38140850	1	52456243	E01_1_77371	52456243	1	53156205	F01_1_77388	53156205	1
38211400	B.01.01.A0001_03	19	1	52456245	E01_1_77371	52456245	1	53156206	F01_1_77388	53156206	1
	B01_2_77329	38211400	1	52456336	H.03.02.A0003_02	10		53156207	F01_1_77388	53156207	1
	M03_1_77650	38211400	1		H03_1_77469	52456336	1	53156209	D.01.01.A0001_02	3	1
38212500	F01_1_77388	38212500	1	52456340	H.03.02.A0003_02	31			D01_1_77361	53156209	1
38213003	I04_1_77517	38213003	1		H03_1_77469	52456340	1	53156210	C.01.01.A0001_02	8	1
38213202	F01_1_77388	38213202	1	52456349	H.03.02.A0003_02	22			C01_1_72820	53156210	1
38213500	F01_1_77388	38213500	1		H03_1_77469	52456349	1	53156218	C.01.01.A0001_02	10	1
38213800	H.03.02.A0003_02	9		52456354	H.03.02.A0003_02	29			C01_1_72820	53156218	1
	H03_1_77469	38213800	1		H03_1_77469	52456354	1	53156659	D.01.01.A0001_02	3	1
51156214	B.01.01.A0001_03	2	1	52456360	H.03.02.A0003_02	30		53156860	L.03.01.A0003_02	9	1
	B01_2_77329	51156214	1		H03_1_77469	52456360	1		L03_1_77607	53156860	1
51156702	G03_0_77436	51156702	1	52456362	H03_1_77469	52456362	1	53249635V	I04_1_77517	53249635	1
51156703N	G03_0_77436	51156703	1	52456370	H.03.02.A0003_02	3		532C0055	F01_1_77388	532C005	1
511C0032N	G04_0_77461	511C003	1		H03_1_77469	52456370	1	55102678	G03_0_77436	55102678	1
52156810Z	L.03.01.A0003_02	34	1	52456389	H.03.02.A0003_02	24		55157212	J03_1_77552	55157212	1
	L03_1_77607	52156810	1		H03_1_77469	52456389	1		J03_2_77555	55157212	1
52156917	J03_1_77552	52156917	1	52456390	H.03.02.A0003_02	19			L.03.01.A0003_02	10	1
52357250	M03_1_77650	52357250	1		H03_1_77469	52456390	1		L03_1_77607	55157212	1
52449640	I04_1_77517	52449640	1	52456694	C.01.01.A0001_02	6	1		M03_1_77650	55157212	1
52449641	I04_1_77517	52449641	1		C01_1_72820	52456694	1	55157213	J03_1_77552	55157213	1
52449642	I04_1_77517	52449642	1	52456705	H.03.02.A0003_02	10			J03_2_77555	55157213	1
52449643N	I04_1_77517	52449643	1		H03_1_77469	52456705	1		L.03.01.A0003_02	16	1
52456217	B.01.01.A0001_03	3	1	52456706	H.03.02.A0003_02	5			L03_1_77607	55157213	1
	B01_2_77329	52456217	1		H03_1_77469	52456706	1		M03_1_77650	55157213	1
52456220	B.01.01.A0001_03	20	1	52457866	H.03.02.A0003_02	39		55157214	L.03.01.A0003_02	33	1
	B01_2_77329	52456220	1		H03_1_77469	52457866	1		L03_1_77607	55157214	1
52456223	B.01.01.A0001_03	4	1	53052175	R.02.01.A0003_02	3	1	55157215	L.03.01.A0003_02	32	1
	B01_2_77329	52456223	1	53052176	R.02.01.A0003_02	5	1		L03_1_77607	55157215	1
52456233	E01_1_77371	52456233	1	53057666	R.02.01.A0003_02	1	1	55242528	M03_1_77650	55242528	1
52456234	E01_1_77371	52456234	1	53057670	R.02.01.A0003_02	2	1	55243340	J03_1_77552	55243340	1



SPARE PARTS INSTANCE INDEX

Code	Parts Table	Pos.	Q.ty	Code	Parts Table	Pos.	Q.ty	Code	Parts Table	Pos.	Q.ty
55243340	J03_2_77555	55243340	1	56148218N	N.02.01.A0003_02	1	1	56156940	J03_2_77555	56156940	1
55248379	M03_1_77650	55248379	1		N02_1_77691	56148218	1	56156948N	J03_1_77552	56156948	1
55252406	A.02.01.A0003_02	16	1	56148287	L.03.01.A0003_02	5	1	56156974N	J03_2_77555	56156974	1
	A02_1_77305	55252406	1		L03_1_77607	56148287	1	56157271N	M03_1_77650	56157271	1
55252413	A.02.01.A0003_02	17	1	56148470N	K03_1_77574	56148470	1	56157303Z	M03_1_77650	56157303	1
	A02_1_77305	55252413	1	56149590	Q01_0_67569	56149590	1	56157324	M03_1_77650	56157324	1
55252415	A02_1_77305	55252415	1		Q01_1_81859	56149590	1	56157364N	M03_1_77650	56157364	1
55252503	A.02.01.A0003_02	15	1	56149644	I04_1_77517	56149644	1	56157387	Q01_0_67569	56157387	1
	A02_1_77305	55252503	1	56156219Z	I04_1_77517	56156219	1		Q01_1_81859	56157387	1
55252504	A.02.01.A0003_02	13	1	56156224	B.01.01.A0001_03	23	1	56157399	A.02.01.A0003_02	8	1
	A02_1_77305	55252504	1		B01_2_77329	56156224	1		A02_1_77305	56157399	1
55256185	K03_1_77574	55256185	1	56156241N	A.02.01.A0003_02	5	1	56158943	H.03.02.A0003_02	35	
55256197	L.03.01.A0003_02	6	1		A02_1_77305	56156241	1		H03_1_77469	56158943	1
	L03_1_77607	55256197	1	56156247	C.01.01.A0001_02	4	1	561C0013Z	G03_0_77436	561C001	1
55256228	B.01.01.A0001_03	13	1		C01_1_72820	56156247	1	56347870Z	E01_1_77371	56347870	1
	B01_2_77329	55256228	1	56156276	F01_1_77388	56156276	1	56347873	E01_1_77371	56347873	1
55256757	L.03.01.A0003_02	22	1	56156281	F01_1_77388	56156281	1	56356184Z	K03_1_77574	56356184	1
	L03_1_77607	55256757	1	56156288Z	E01_1_77371	56156288	1	56356216	C.01.01.A0001_02	2	1
55256835	L.03.01.A0003_02	2	1	56156603Z	K03_1_77574	56156603	1		C01_1_72820	56356216	1
	L03_1_77607	55256835	1	56156658	B.01.01.A0001_03	26	1	56356239	F01_1_77388	56356239	1
55256836	L.03.01.A0003_02	1	1		B01_2_77329	56156658	1	56356240	F01_1_77388	56356240	1
	L03_1_77607	55256836	1	56156809H	M03_1_77650	56156809	1	56356242	B.01.01.A0001_03	28	1
55257313	M03_1_77650	55257313	1	56156828Z	I04_1_77517	56156828	1		B01_2_77329	56356242	1
55257321	M03_1_77650	55257321	1	56156831Z	N.02.01.A0003_02	10	1	56356328	H.03.02.A0003_02	27	
552C0017	G03_0_77436	552C001	1		N02_1_77691	56156831	1		H03_1_77469	56356328	1
552C0029	Q01_1_81859	552C002	1	56156832Z	L.03.01.A0003_02	24	1	56356329	H.03.02.A0003_02	27	
56119937	Q01_0_67569	56119937	1		L03_1_77607	56156832	1		H03_1_77469	56356329	1
	Q01_1_81859	56119937	1	56156834Z	L.03.01.A0003_02	12	1	56356330	H.03.02.A0003_02	27	
56137370	Q01_0_67569	56137370	1		L03_1_77607	56156834	1		H03_1_77469	56356330	1
	Q01_1_81859	56137370	1	56156856N	I04_1_77517	56156856	1	56356331	H.03.02.A0003_02	27	
56147520Z	G03_0_77436	56147520	1	56156859Z	L.03.01.A0003_02	28	1		H03_1_77469	56356331	1
56147560	M03_1_77650	56147560	1		L03_1_77607	56156859	1	56356348	H.03.02.A0003_02	16	
56147574	M03_1_77650	56147574	1	56156874N	K03_1_77574	56156874	1		H03_1_77469	56356348	1
56147672	M03_1_77650	56147672	1	56156940	J03_1_77552	56156940	1	56356661	B.01.01.A0001_03	22	1



SPARE PARTS INSTANCE INDEX

Code	Parts Table	Pos.	Q.ty	Code	Parts Table	Pos.	Q.ty	Code	Parts Table	Pos.	Q.ty
56356661	B01_2_77329	56356661	1	58043086	H03_1_77469	58043086	1	58052180	R.02.01.A0003_02	9	1
56356833Z	L.03.01.A0003_02	7	1	58043117	G03_0_77436	58043117	1	58052181	R.02.01.A0003_02	11	1
	L03_1_77607	56356833	1	58043176	M03_1_77650	58043176	1	58052182	R.02.01.A0003_02	12	1
56356840	N.02.01.A0003_02	7	1	58043855	I04_1_77517	58043855	1	58052191	R.02.01.A0003_02	13	1
	N02_1_77691	56356840	1	58043874	I04_1_77517	58043874	1	58052192	R.02.01.A0003_02	10	1
56356840Z	L.03.01.A0003_02	19	1	58043881N	I04_1_77517	58043881	1	58052193	R.02.01.A0003_02	8	1
	L03_1_77607	56356840	1	58045804	Q01_0_67569	58045804	1	58056155	K03_1_77574	58056155	1
56356857Z	N.02.01.A0003_02	12	1		Q01_1_81859	58045804	1	58056186Z	K03_1_77574	58056186	1
	N02_1_77691	56356857	1	58045807	Q01_0_67569	58045807	1	58056187	K03_1_77574	58056187	1
56356858Z	L.03.01.A0003_02	8	1		Q01_1_81859	58045807	1	58056188	K03_1_77574	58056188	1
	L03_1_77607	56356858	1	58047460	Q01_0_67569	58047460	1	58056192	B01_2_77329	58056192	1
56356924	J03_1_77552	56356924	1		Q01_1_81859	58047460	1	58056208	D.01.01.A0001_02	1	1
	J03_2_77555	56356924	1	58047671	M03_1_77650	58047671	1		D01_1_77361	58056208	1
56443871	I04_1_77517	56443871	1	58047712	L.03.01.A0003_02	11	1	58056221	B.01.01.A0001_03	21	1
56448183	I04_1_77517	56448183	1		L03_1_77607	58047712	1		B01_2_77329	58056221	1
56448196	I04_1_77517	56448196	1	58048000	K03_1_77574	58048000	1	58056222	B.01.01.A0001_03	12	1
56456347	H.03.02.A0003_02	15		58048009	L.03.01.A0003_02	4	1		B01_2_77329	58056222	1
	H03_1_77469	56456347	1		L03_1_77607	58048009	1	58056391	H.03.02.A0003_02	11	
56456351	H03_1_77469	56456351	1	58048214	N.02.01.A0003_02	3	1		H03_1_77469	58056391	1
56456476	H.03.02.A0003_02	40			N02_1_77691	58048214	1	58056593	K03_1_77574	58056593	1
	H03_1_77469	56456476	1	58048215	N.02.01.A0003_02	2	1	58056595	K03_1_77574	58056595	1
56456479	H.03.02.A0003_02	40			N02_1_77691	58048215	1		L.03.01.A0003_02	20	1
	H03_1_77469	56456479	1	58049501	L.03.01.A0003_02	36	1		L03_1_77607	58056595	1
56456657	B.01.01.A0001_03	25	1		L03_1_77607	58049501	1	58056646	G03_0_77436	58056646	1
	B01_2_77329	56456657	1	58049505	L.03.01.A0003_02	36	1	58056683	B.01.01.A0001_03	27	1
56456736	H.03.02.A0003_02	13			L03_1_77607	58049505	1	58056811	K03_1_77574	58056811	1
56458942	H.03.02.A0003_02	36		58049541	Q01_0_67569	58049541	1	58056812	K03_1_77574	58056812	1
	H03_1_77469	56458942	1		Q01_1_81859	58049541	1	58056814	L.03.01.A0003_02	36	1
56556213	C.01.01.A0001_02	5	1	58049646	I04_1_77517	58049646	1		L03_1_77607	58056814	1
	C01_1_72820	56556213	1	58049830	L.03.01.A0003_02	31	1	58056816	K03_1_77574	58056816	1
56556282	E01_1_77371	56556282	1		L03_1_77607	58049830	1	58056837	L.03.01.A0003_02	3	1
58002538	K03_1_77574	58002538	1	58050345	K03_1_77574	58050345	1		L03_1_77607	58056837	1
58043053	G03_0_77436	58043053	1	58052178	R.02.01.A0003_02	6	1	58056838	K03_1_77574	58056838	1
58043086	H.03.02.A0003_02	18		58052179	R.02.01.A0003_02	7	1	58056839	K03_1_77574	58056839	1



SPARE PARTS INSTANCE INDEX

Code	Parts Table	Pos.	Q.ty	Code	Parts Table	Pos.	Q.ty	Code	Parts Table	Pos.	Q.ty
58056841	L.03.01.A0003_02	29	1	58057337	L03_1_77607	58057337	1	59053021H	A.02.01.A0003_02	11	1
	L03_1_77607	58056841	1	58057369	K03_1_77574	58057369	1		A02_1_77305	59053021	1
58056842	K03_1_77574	58056842	1	58057386	Q01_0_67569	58057386	1	59056127H	A.02.01.A0003_02	10	1
58056844	K03_1_77574	58056844	1		Q01_1_81859	58057386	1		A02_1_77305	59056127	1
58056845	L.03.01.A0003_02	29	1	58057422	K03_1_77574	58057422	1	59056225Z	B.01.01.A0001_03	14	1
	L03_1_77607	58056845	1	58057450	R01_0_67594	58057450	1		B01_2_77329	59056225	1
58056846	L.03.01.A0003_02	35	1	58057451	R01_0_67594	58057451	1	59056230Z	B01_2_77329	59056230	1
	L03_1_77607	58056846	1	58057610	Q01_0_67569	58057610	1	59056244	G03_0_77436	59056244	1
58056847	L.03.01.A0003_02	30	1	58057625	R01_0_67594	58057625	1	59056298Z	B.01.01.A0001_03	18	1
	L03_1_77607	58056847	1	58057676	R01_0_67594	58057676	1	59056365	H03_1_77469	59056365	1
58056848	L.03.01.A0003_02	30	1	58057677	R01_0_67594	58057677	1	59056383	H.03.02.A0003_02	2	
	L.03.01.A0003_02	35	1	58057724	R01_0_67594	58057724	1		H03_1_77469	59056383	1
	L03_1_77607	58056848	1	58057732	R01_0_67594	58057732	1	59056672	G03_0_77436	59056672	1
58056849	L.03.01.A0003_02	29	1	58057746	R01_0_67594	58057746	1	59056707	H.03.02.A0003_02	4	
	L03_1_77607	58056849	1	58057747	R01_0_67594	58057747	1		H03_1_77469	59056707	1
58056864	R01_0_67594	58056864	1	58057748	R01_0_67594	58057748	1	59056822N	J03_1_77552	59056822	1
58056866	R01_0_67594	58056866	1	58057767	R01_0_67594	58057767	1		J03_2_77555	59056822	1
58056867	R01_0_67594	58056867	1	58057768	R01_0_67594	58057768	1	59057008	M03_1_77650	59057008	1
58056868	R01_0_67594	58056868	1	58093089	R01_0_67594	58093089	1	59057010N	J03_1_77552	59057010	1
58056869	R01_0_67594	58056869	1	580C0041	B.01.01.A0001_03	7	1		J03_2_77555	59057010	1
58056918	J03_1_77552	58056918	1		B01_2_77329	580C004	1	59057011N	J03_1_77552	59057011	1
	J03_2_77555	58056918	1	58135225	Q01_0_67569	58135225	0		J03_2_77555	59057011	1
	N.02.01.A0003_02	8	1		Q01_1_81859	58135225	0	59057300N	M03_1_77650	59057300	1
	N02_1_77691	58056918	1	58147704	K03_1_77574	58147704	1	59057317	M03_1_77650	59057317	1
58056942N	J03_1_77552	58056942	1	58150313	K03_1_77574	58150313	1	59057390	Q01_0_67569	59057390	1
	J03_2_77555	58056942	1	58157405	Q01_0_67569	58157405	1		Q01_1_81859	59057390	1
58056991	A.02.01.A0003_02	7	1		Q01_1_81859	58157405	1	59057604	Q01_0_67569	59057604	1
	A02_1_77305	58056991	1	58170021	B.01.01.A0001_03	6	1		Q01_1_81859	59057604	1
	J03_1_77552	58056991	1		B01_2_77329	58170021	1	590C0060H	A.02.01.A0003_02	21	1
	J03_2_77555	58056991	1	59048200N	N.02.01.A0003_02	13	1	590C0075	A02_1_77305	590C007	1
58057232Z	M03_1_77650	58057232	1		N02_1_77691	59048200	1	590C0125N	J03_2_77555	590C012	1
58057266	A.02.01.A0003_02	4	1	59048208N	N.02.01.A0003_02	4	1	59256035	D.01.01.A0001_02	5	1
	A02_1_77305	58057266	1		N02_1_77691	59048208	1		D01_1_77361	59256035	1
58057337	L.03.01.A0003_02	36	1	59049637	I04_1_77517	59049637	1	59256036	D.01.01.A0001_02	5	1



SPARE PARTS INSTANCE INDEX

Code	Parts Table	Pos.	Q.ty
59256036	D01_1_77361	59256036	1
59256037	D.01.01.A0001_02	5	1
	D01_1_77361	59256037	1
59256038	D.01.01.A0001_02	5	1
	D01_1_77361	59256038	1
59256039	D.01.01.A0001_02	5	1
	D01_1_77361	59256039	1
59256178	K03_1_77574	59256178	1
59256180	L.03.01.A0003_02	15	1
	L03_1_77607	59256180	1
59256200	B.01.01.A0001_03	11	1
	B01_2_77329	59256200	1
59256693	C.01.01.A0001_02	12	1
	C01_1_72820	59256693	1
59256850	L.03.01.A0003_02	26	1
	L03_1_77607	59256850	1
59257161	K03_1_77574	59257161	1
592C0030N	G04_0_77461	592C003	1
592C0031N	G04_0_77461	592C003	1
F0803067000	F01_1_77388	F0803067	1
F0803075500	F01_1_77388	F0803075	1
F0825500200	Q01_0_67569	F0825500	1
	Q01_1_81859	F0825500	1
F0825500210	Q01_0_67569	F0825500	1
	Q01_1_81859	F0825500	1
F0825500220	Q01_0_67569	F0825500	1
	Q01_1_81859	F0825500	1
F0831193010	M03_1_77650	F0831193	1
F0844273090	B.01.01.A0001_03	8	1
	B01_2_77329	F0844273	1